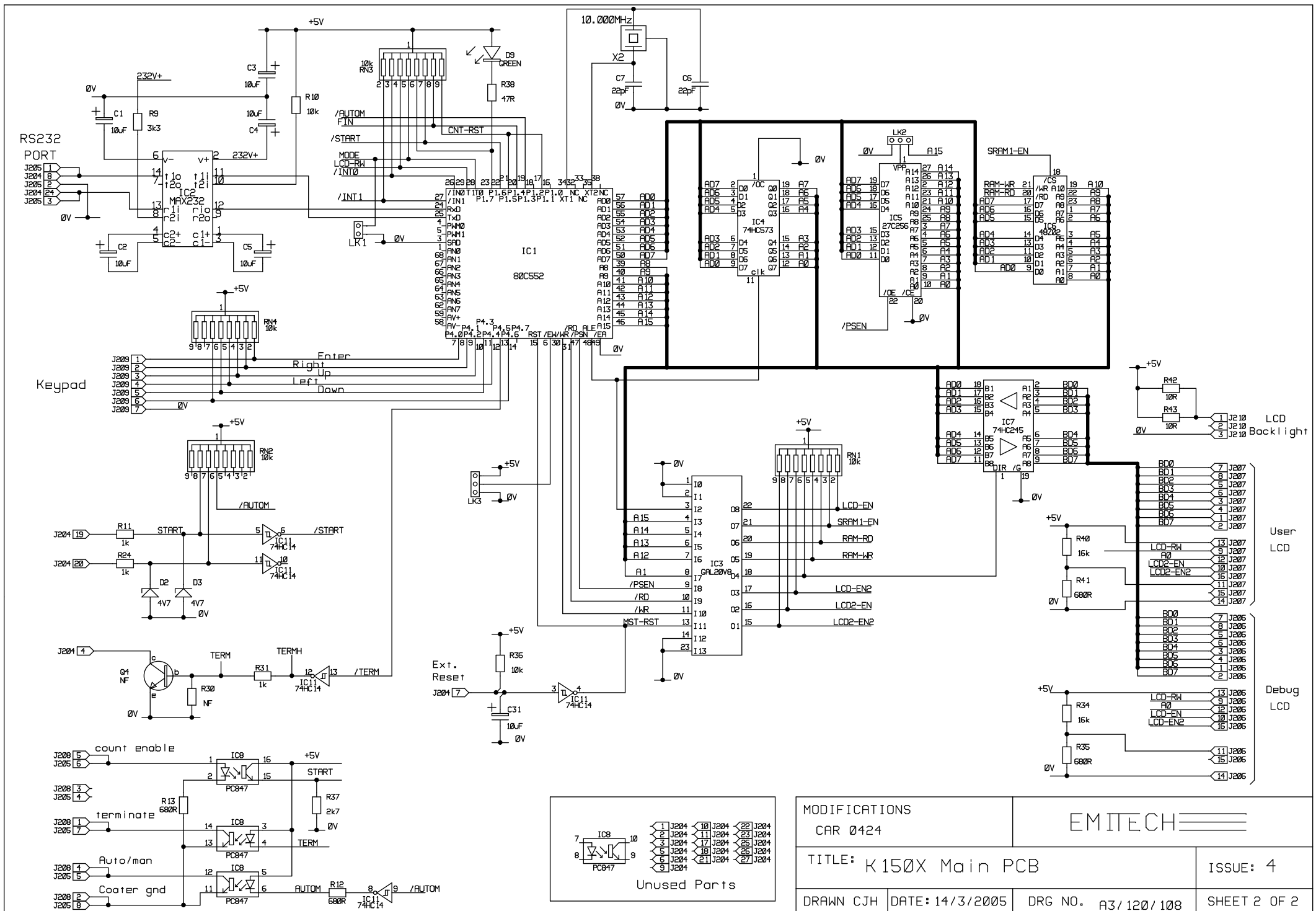
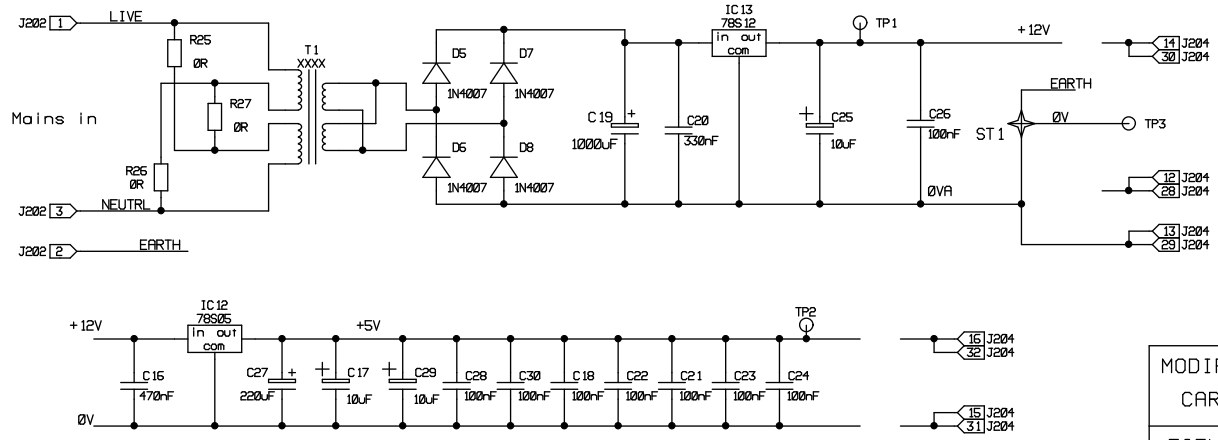
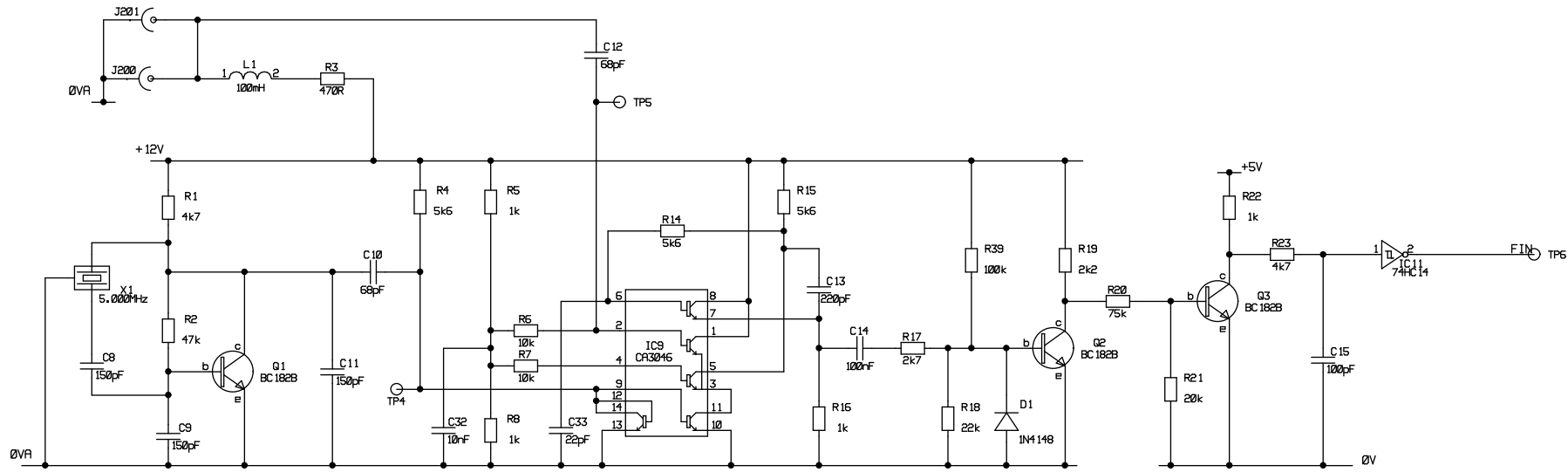


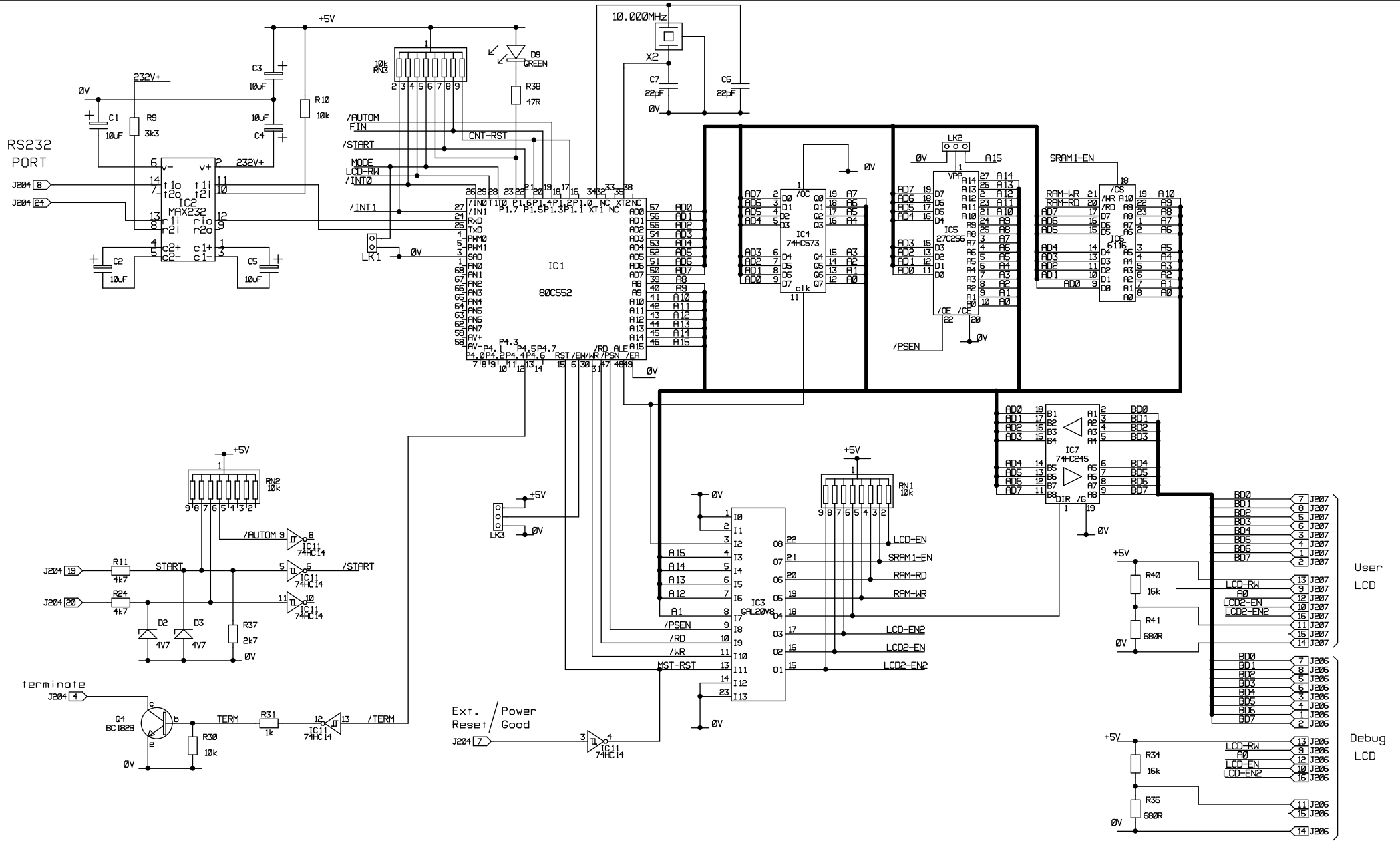
MODIFICATIONS CAR 0424		EMITECH	
TITLE: K150X Main PCB			ISSUE: 4
DRAWN CJH	DATE: 14/3/2005	DRG NO. A3/120/108	SHEET 1 OF 2



MODIFICATIONS CAR 0424		EMITECH	
TITLE: K150X Main PCB			ISSUE: 4
DRAWN CJH	DATE: 14/3/2005	DRG NO. A3/120/108	SHEET 2 OF 2

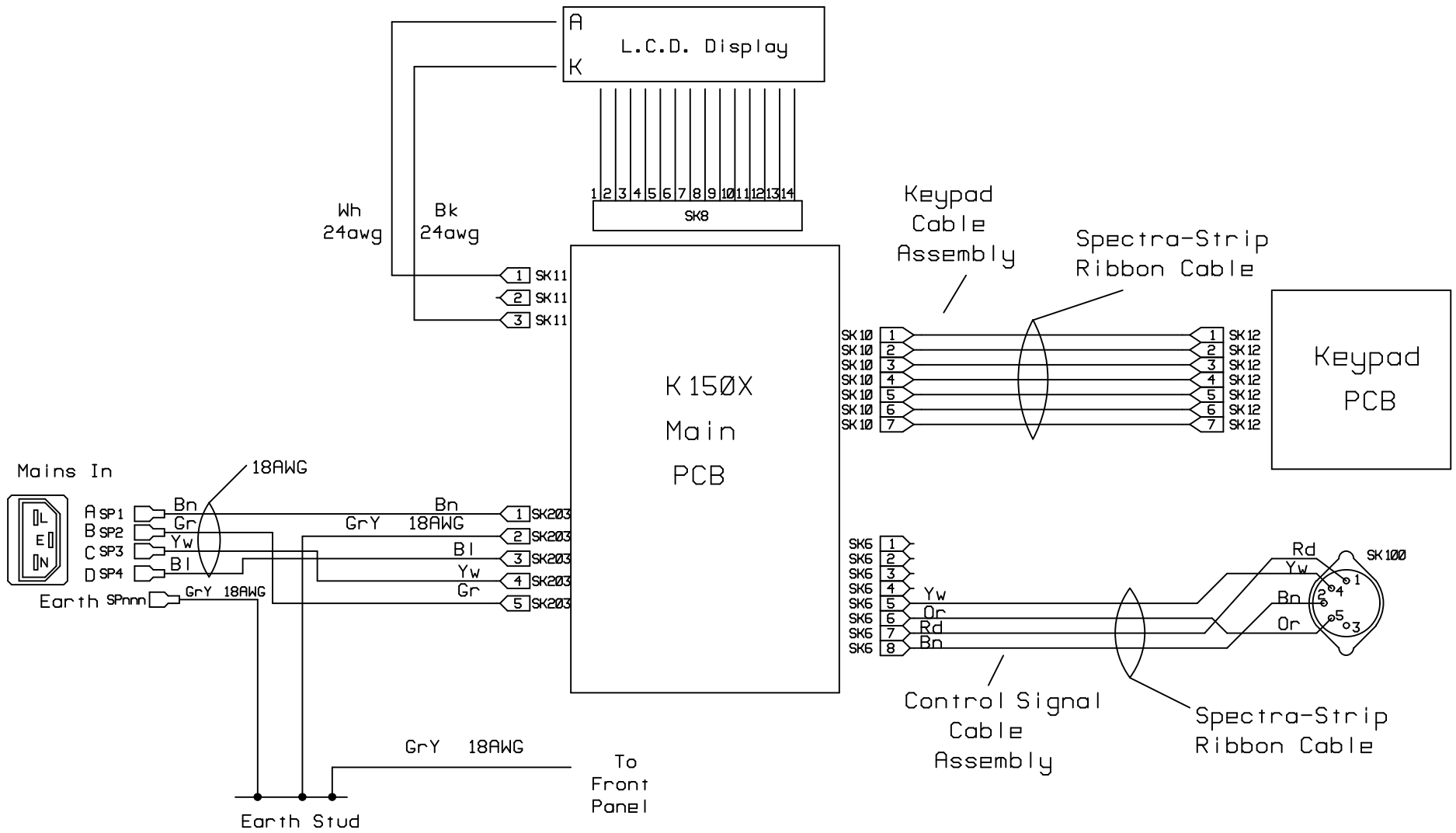


MODIFICATIONS		EMITECH	
CAR 0424			
TITLE:		F.T.M. Module Main PCB	ISSUE: 3
DRAWN DJR	DATE: 27/05/99	DRG NO.A3/120/115	SHEET 1 OF 2

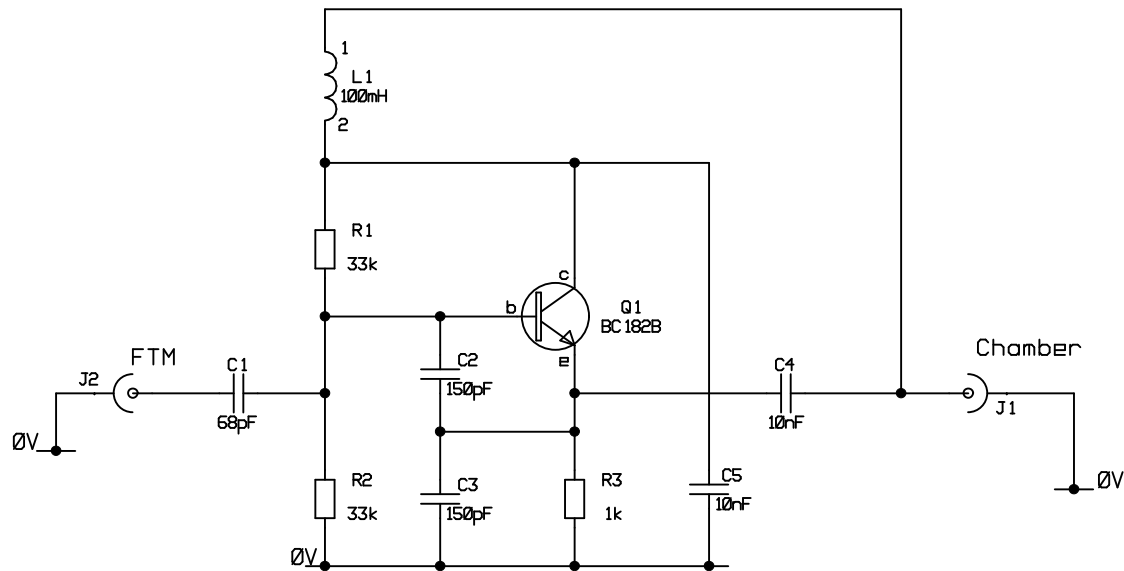


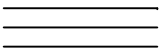
- Unused Parts
- 1 J204
 - 2 J204
 - 3 J204
 - 4 J204
 - 5 J204
 - 6 J204
 - 7 J204
 - 10 J204
 - 11 J204
 - 17 J204
 - 18 J204
 - 21 J204
 - 22 J204
 - 23 J204
 - 25 J204
 - 26 J204
 - 27 J204

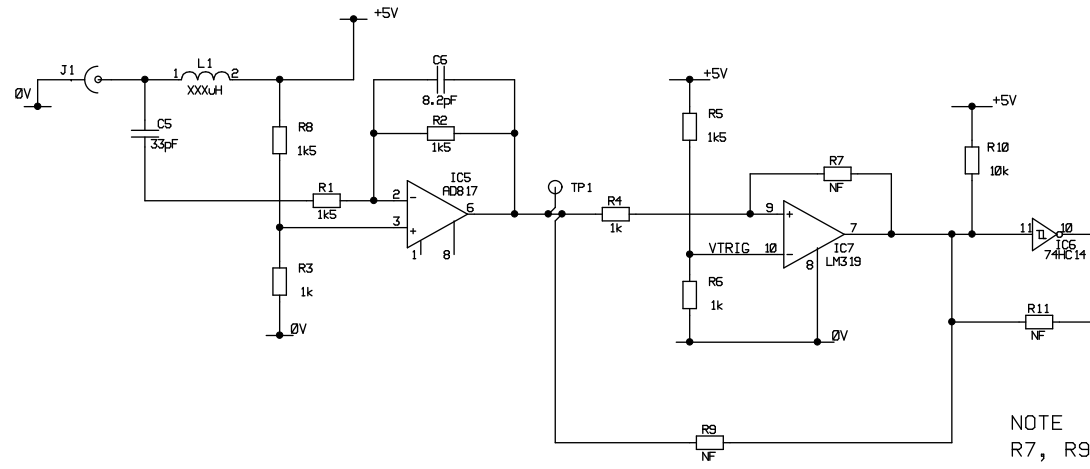
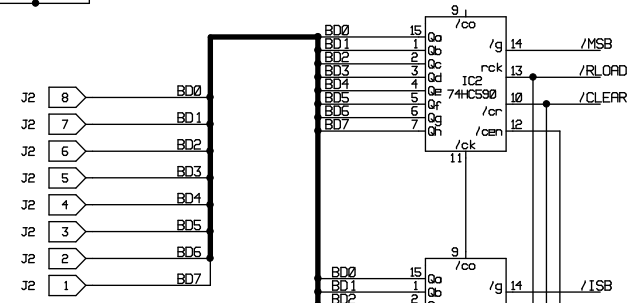
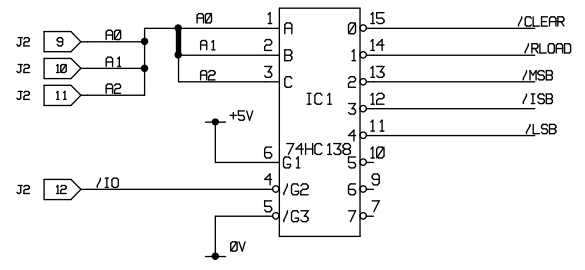
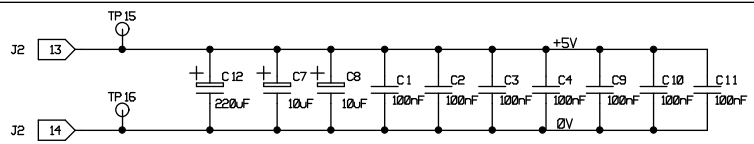
MODIFICATIONS CAR 0424		EMITECH	
TITLE: F.T.M. Module Main PCB		ISSUE: 3	
DRAWN DJR	DATE: 27/05/99	DRG NO.A3/120/115	SHEET 2 OF 2



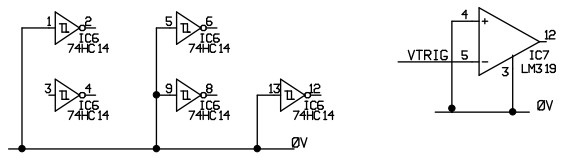
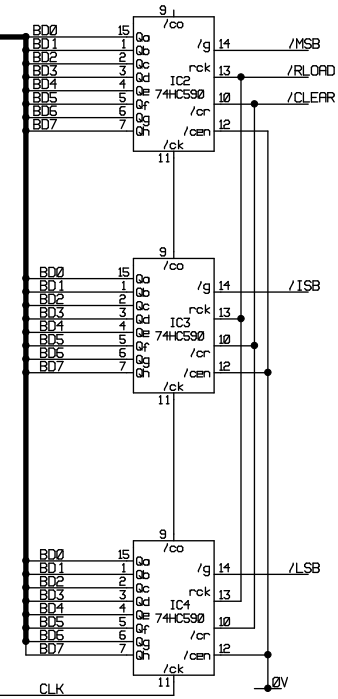
MODIFICATIONS CAR -0426		EMITECH	
DRAWN CJH	TITLE: K150X Wiring schematic		ISSUE: 3
DATE: 11/3/2005	DRG NO. A4/120/112	SHT 1 OF 1	



MODIFICATIONS		EMITECH 	
DRAWN DJR	TITLE: FTM Oscillator MkII	ISSUE: 1	
DATE: 20/06/2004	DRG NO. A4/120/135	SHT 1 OF 1	

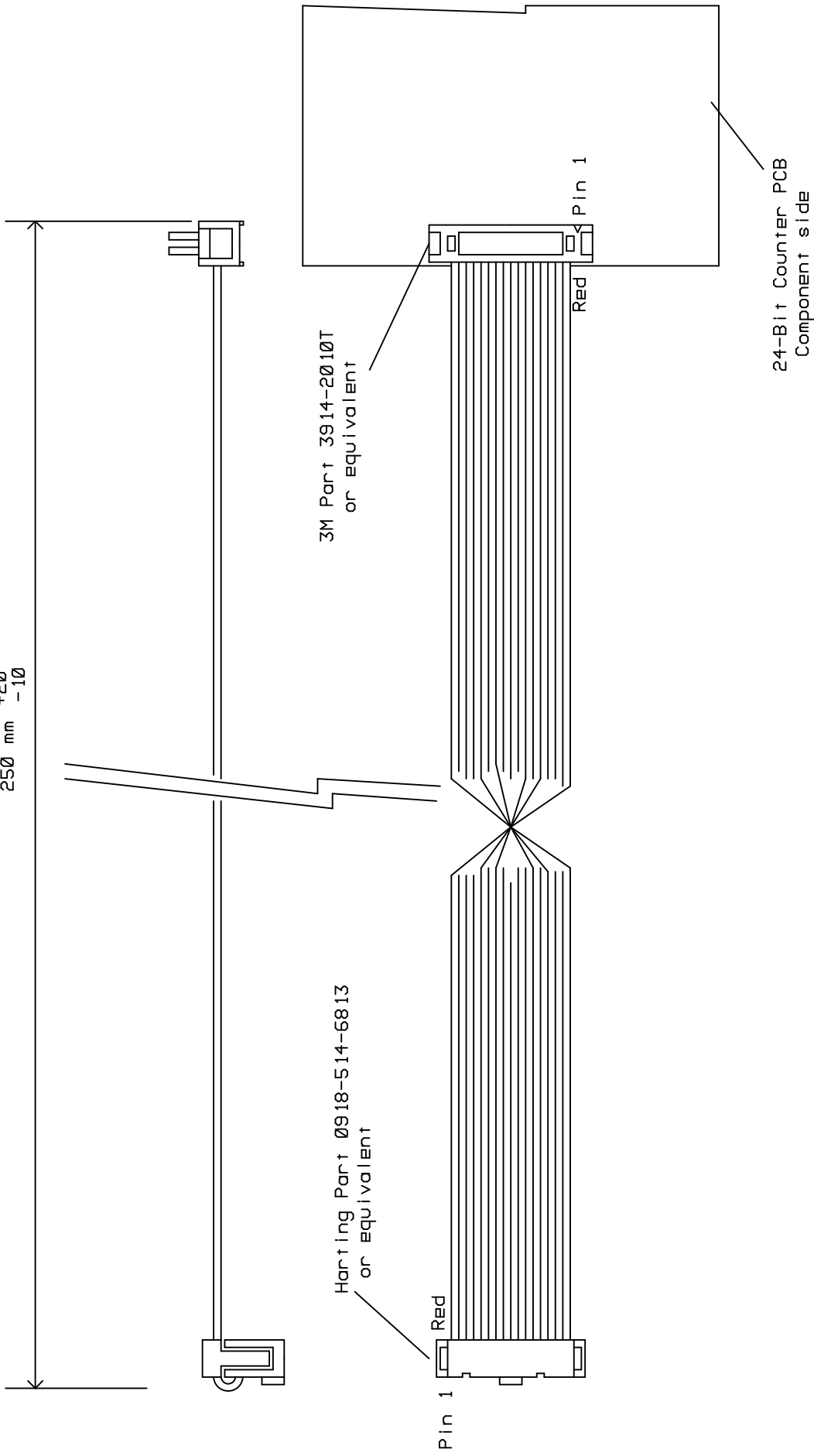


NOTE
R7, R9, R11 Not fitted

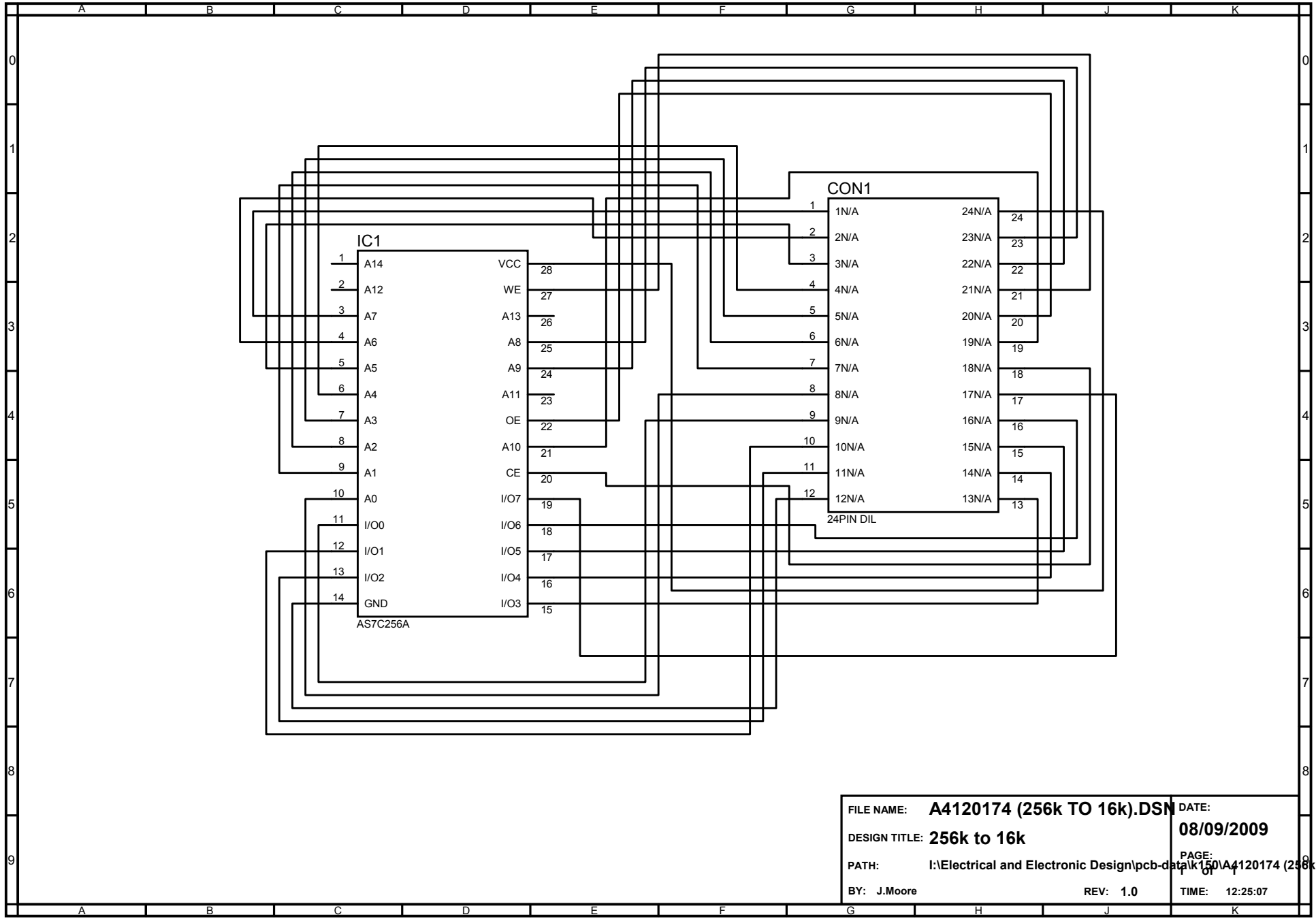


MODIFICATIONS		EMITECH	
TITLE: FTM 24-bit Counter circuit schematic		ISSUE: 2	
DRAWN CJH	DATE:17/2/2005	DRG NO.A3/120/119	SHEET 1 OF 1

250 mm $+20$
 -10



MODIFICATIONS		EMITECH	
DRAWN CJH	TITLE: FTM Counter Ribbon cable Detail	ISSUE: 2	SHT 1 OF 1
DATE: 10/10/2006	DRG NO. A4/120/127		



FILE NAME: A4120174 (256k TO 16k).DSN	DATE: 08/09/2009
DESIGN TITLE: 256k to 16k	PAGE: 150
PATH: I:\Electrical and Electronic Design\pcb-data\k150\A4120174 (256k	OF: 1
BY: J.Moore	REV: 1.0 TIME: 12:25:07

EM Technologies Unit 1 & 2 South Stour Avenue, Ashford, Kent. TN23 7RS, England. Tel: +44 (0)1233 646332 Fax: +44(0)1233 640744		
TITLE 256k TO 16k		
SHEET OF	DRAWING NO. A4-120-175	ISSUE -1

