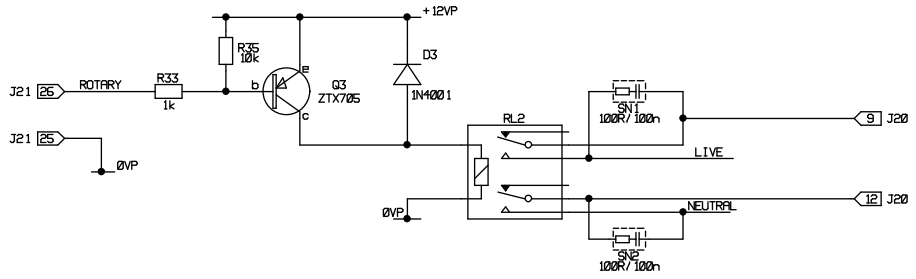
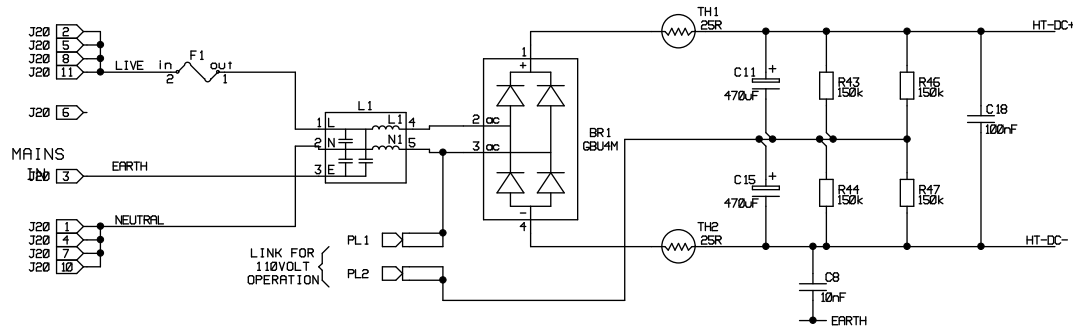
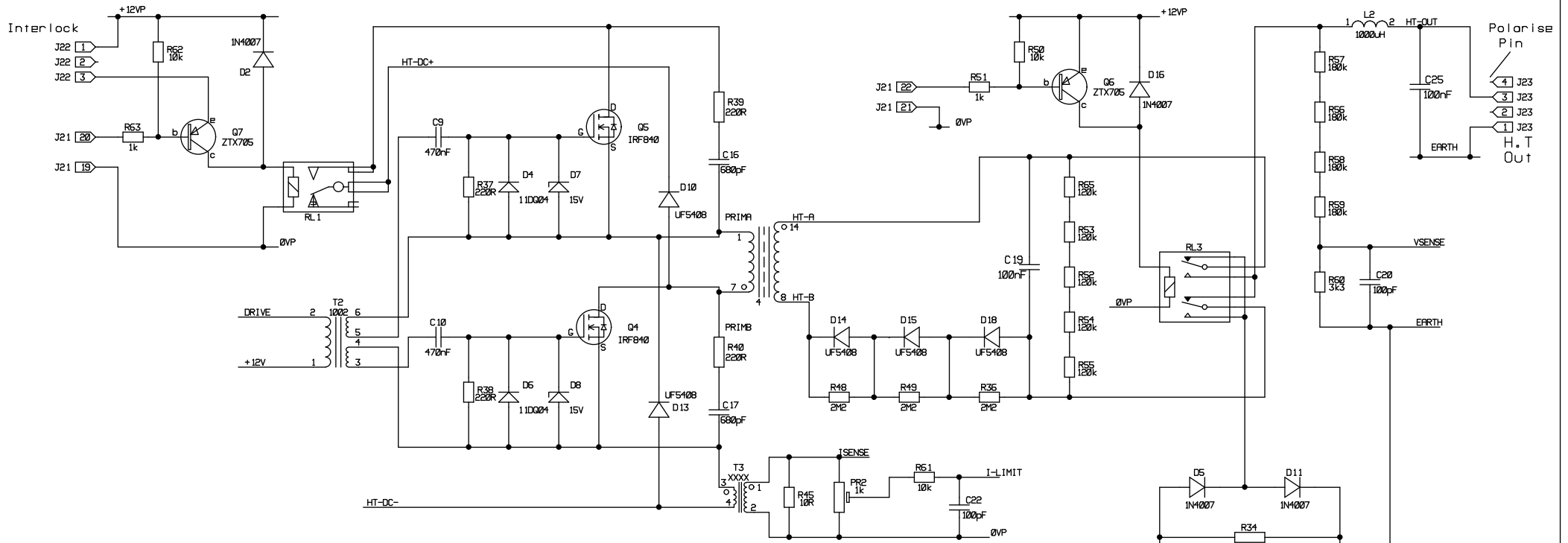
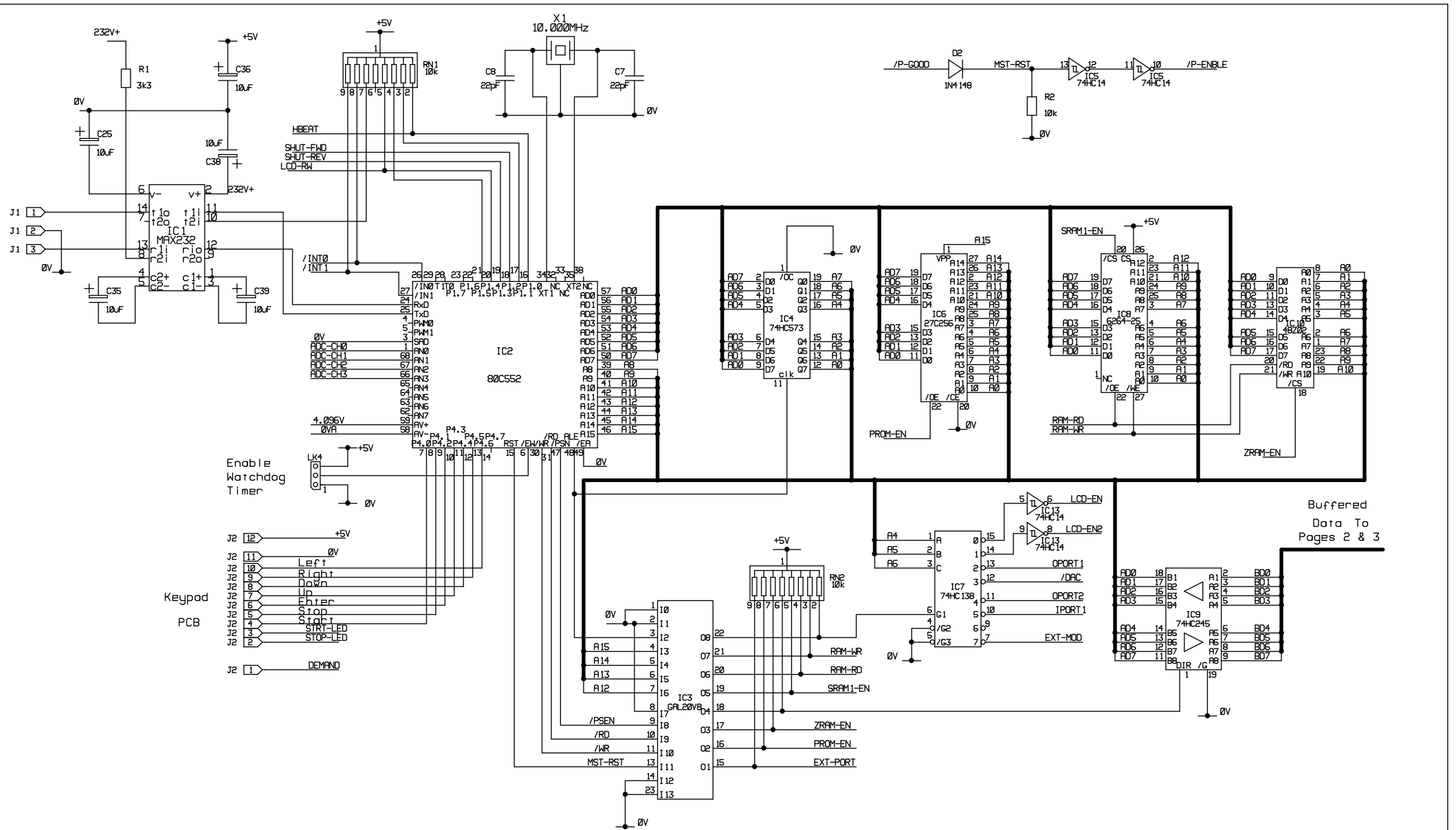


MODIFICATIONS		EMITECH	
TITLE: Standard H.T. Supply PCB		ISSUE: 2	
DRAWN DJR	DATE: 07/04/2000	DRG NO. A3/001/210	SHEET 1 OF 2

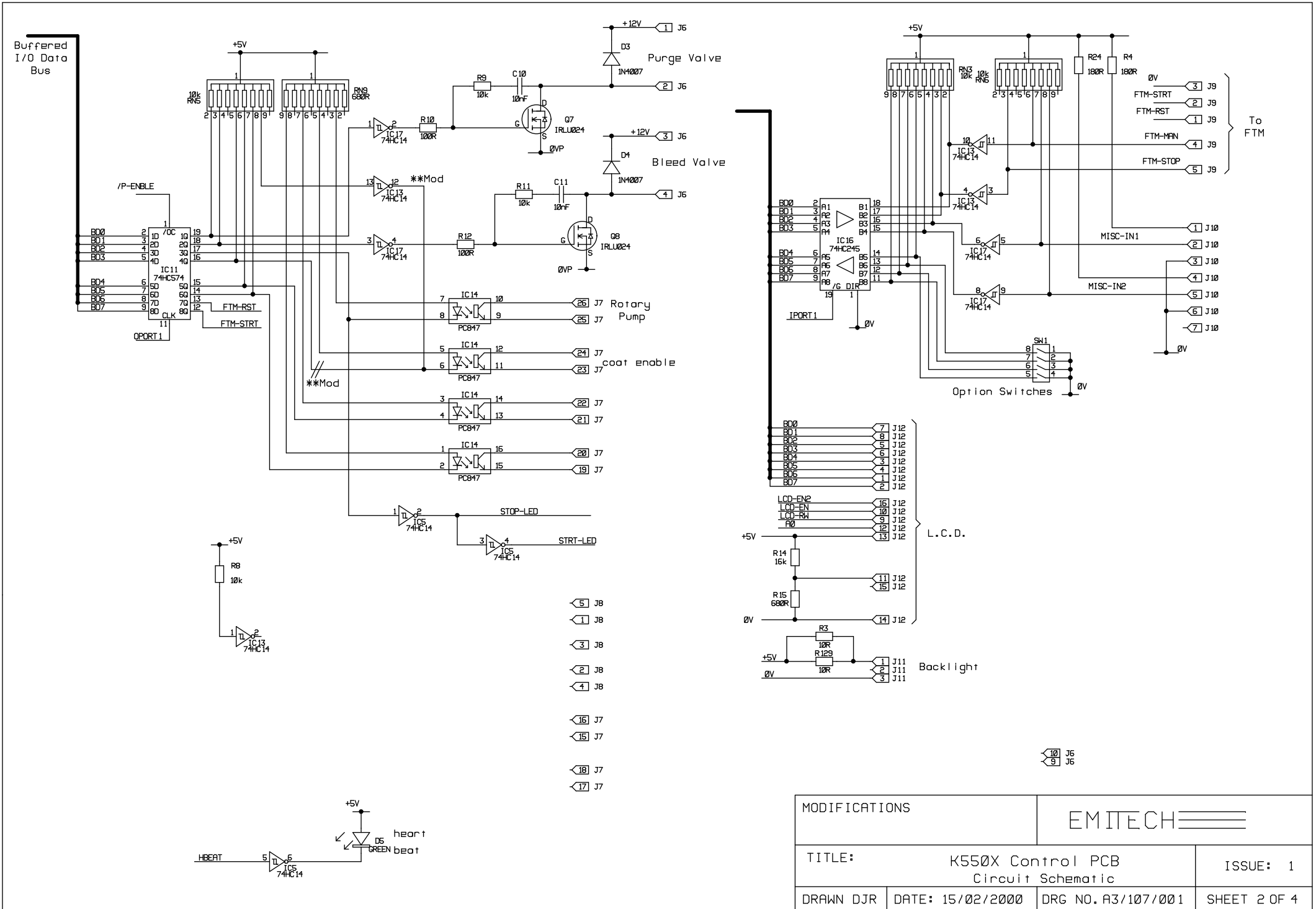


MODIFICATIONS		EMITECH	
TITLE: Standard H.T. Supply PCB		ISSUE: 2	
DRAWN DJR	DATE: 07/04/2000	DRG NO. A3/001/210	SHEET 2 OF 2

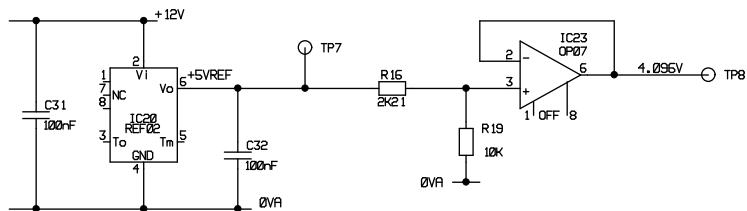
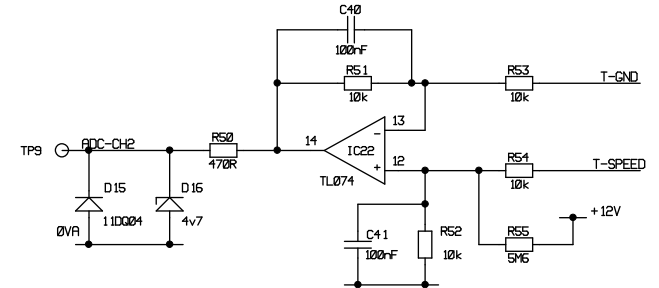
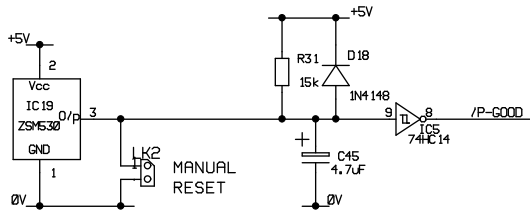
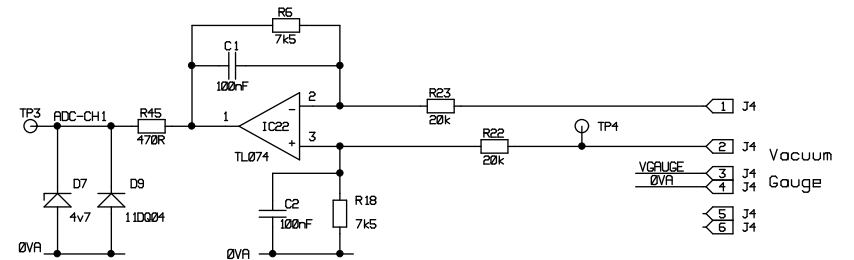
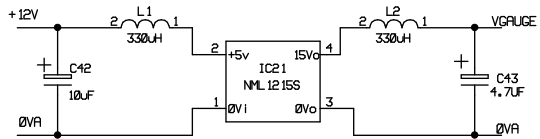
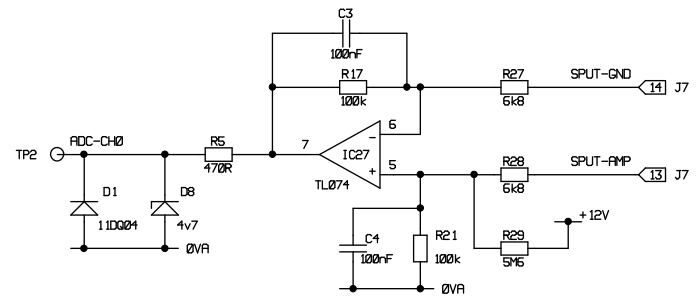
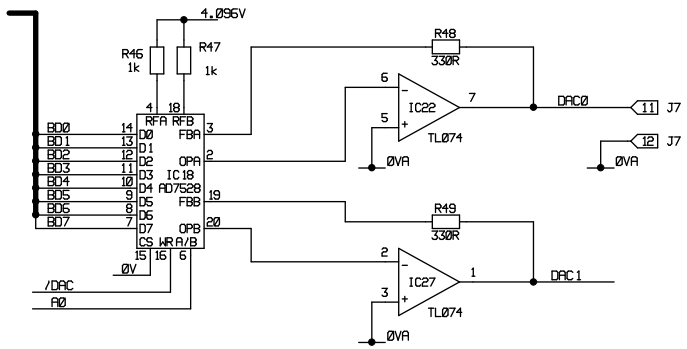


Buffered
Data To
Pages 2 & 3

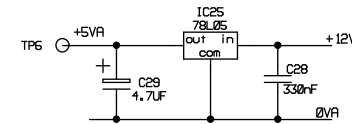
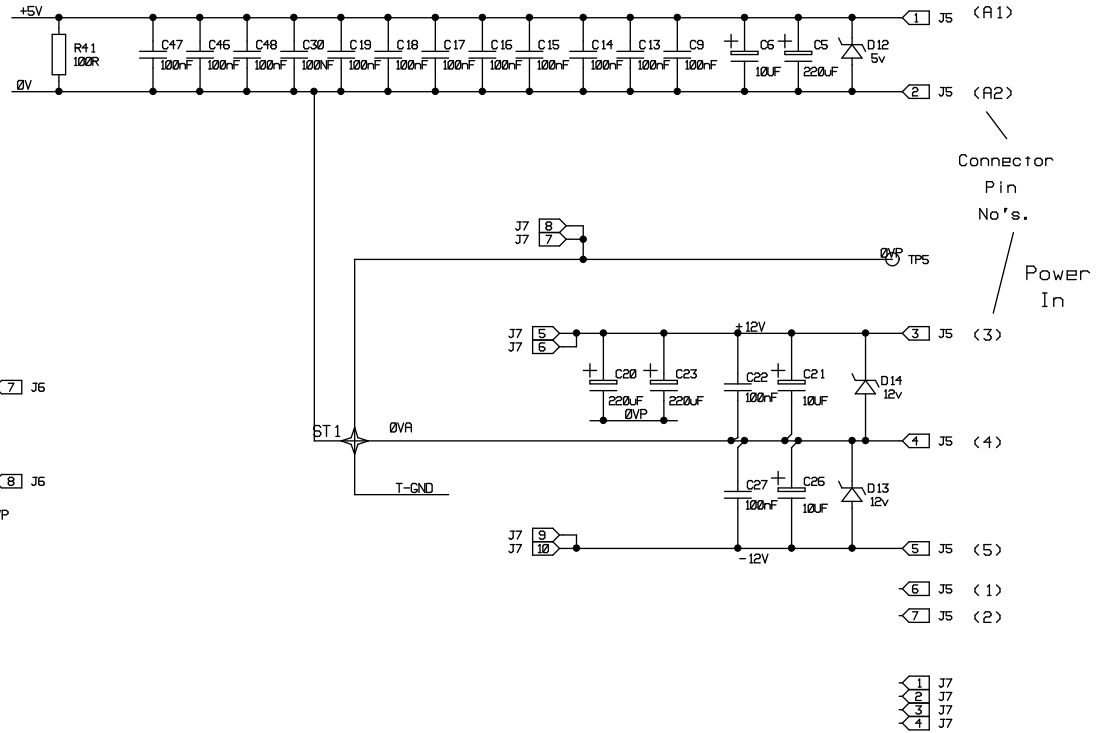
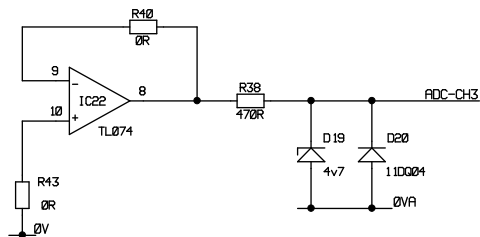
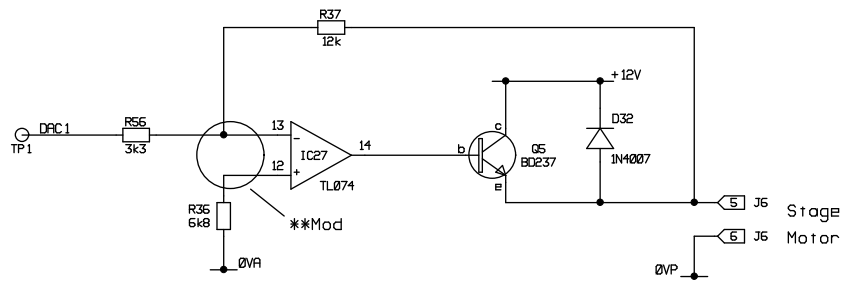
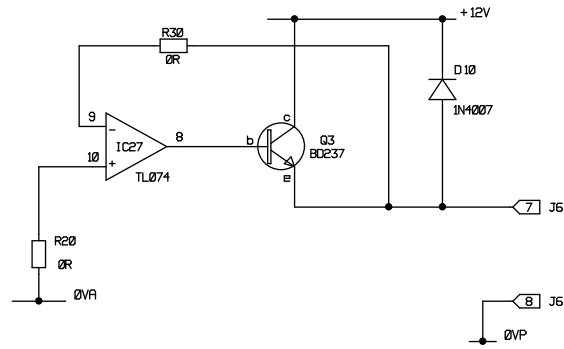
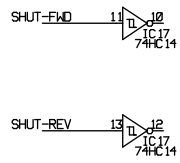
MODIFICATIONS		EMITECH	
TITLE:		K550X Control PCB Circuit Schematic	
DRAWN DJR		DATE: 15/02/2000	ISSUE: 1
DRG NO. A3/107/001		SHEET 1 OF 4	



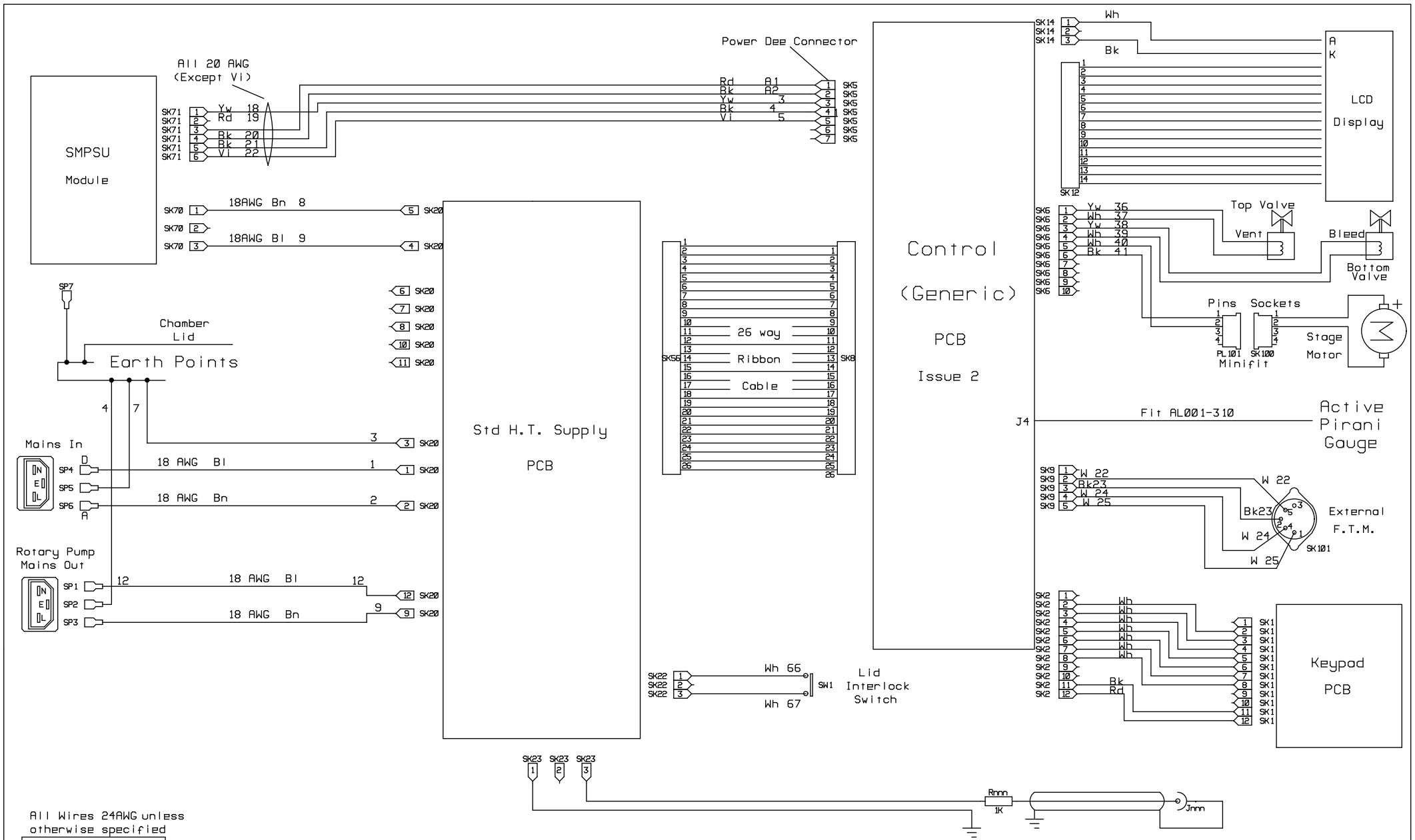
MODIFICATIONS		EMITECH	
TITLE:		K550X Control PCB Circuit Schematic	
DRAWN DJR		DATE: 15/02/2000	DRG NO. A3/107/001
		ISSUE: 1	SHEET 2 OF 4



MODIFICATIONS		EMITECH	
TITLE:		K550X Control PCB Circuit Schematic	
DRAWN DJR		DATE: 15/02/2000	DRG NO. A3/107/001
		SHEET 3 OF 4	



MODIFICATIONS		EMITECH	
TITLE:		K550X Control PCB Circuit Schematic	ISSUE: 1
DRAWN DJR	DATE: 15/02/2000	DRG NO. A3/107/001	SHEET 4 OF 4



All Wires 24AWG unless otherwise specified

Colour code
Yw - Yellow
Wh - White
Bl - Blue
Bk - Black
Br - Brown
GrY - Green/Yellow
Gr - Grey

MODIFICATIONS		EMITECH	
TITLE: K550X Wiring Schematic		ISSUE: 4	
DRAWN CJH	DATE: 19/6/2008	DRG NO. A3/107/003	SHEET 1 OF 1