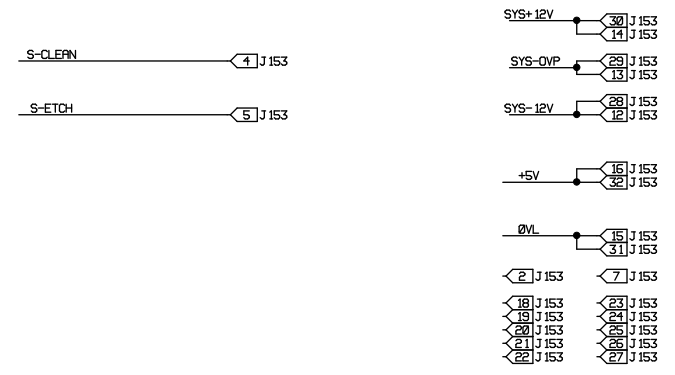
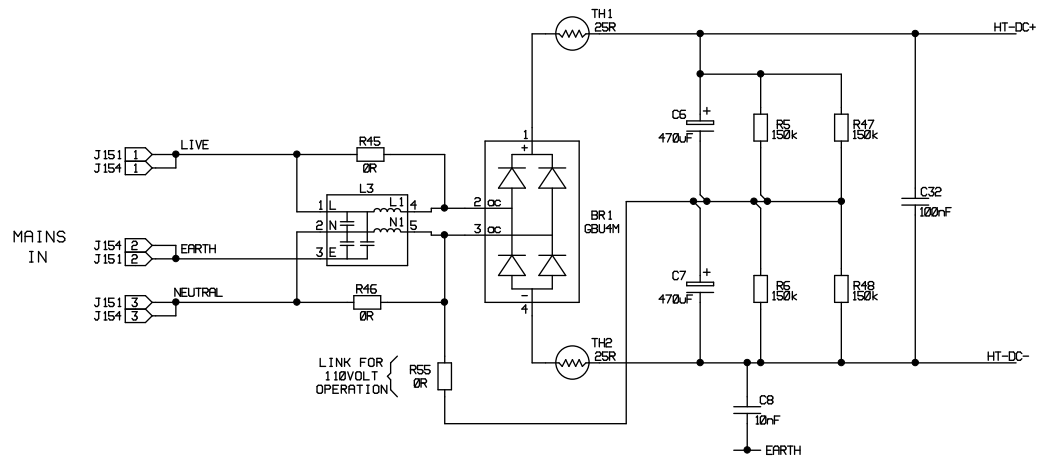
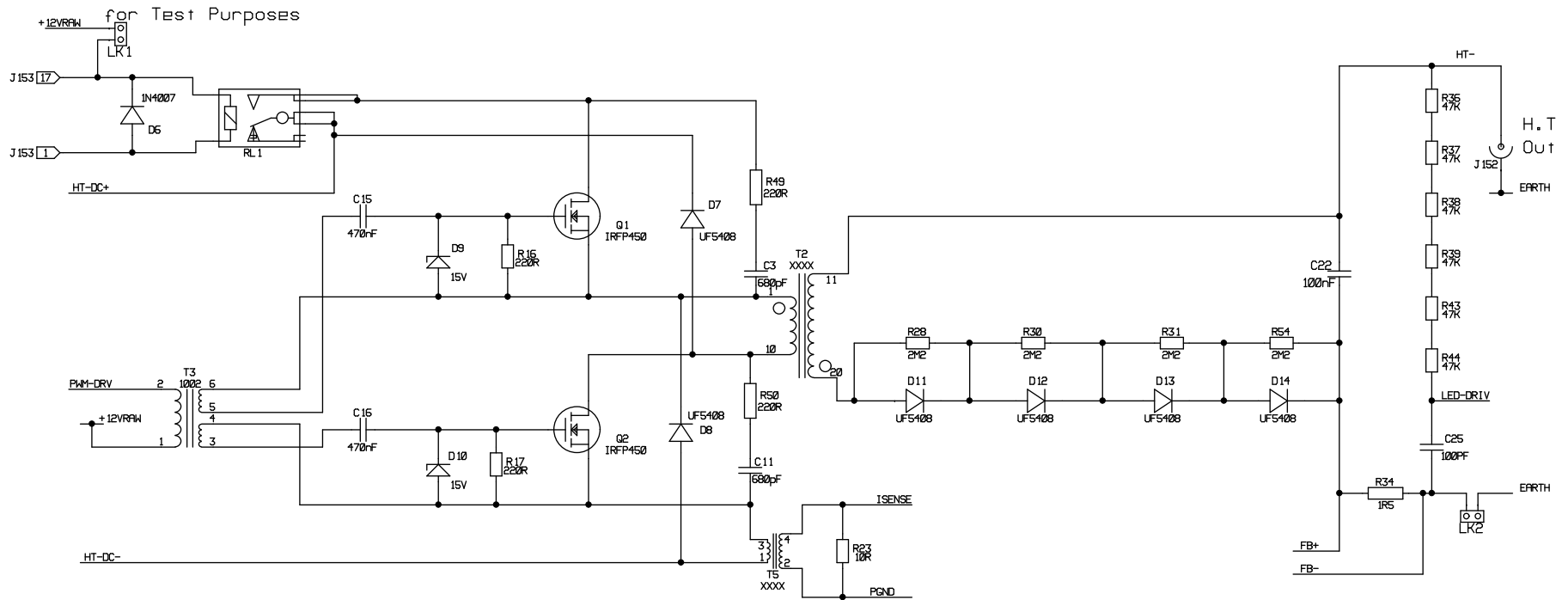
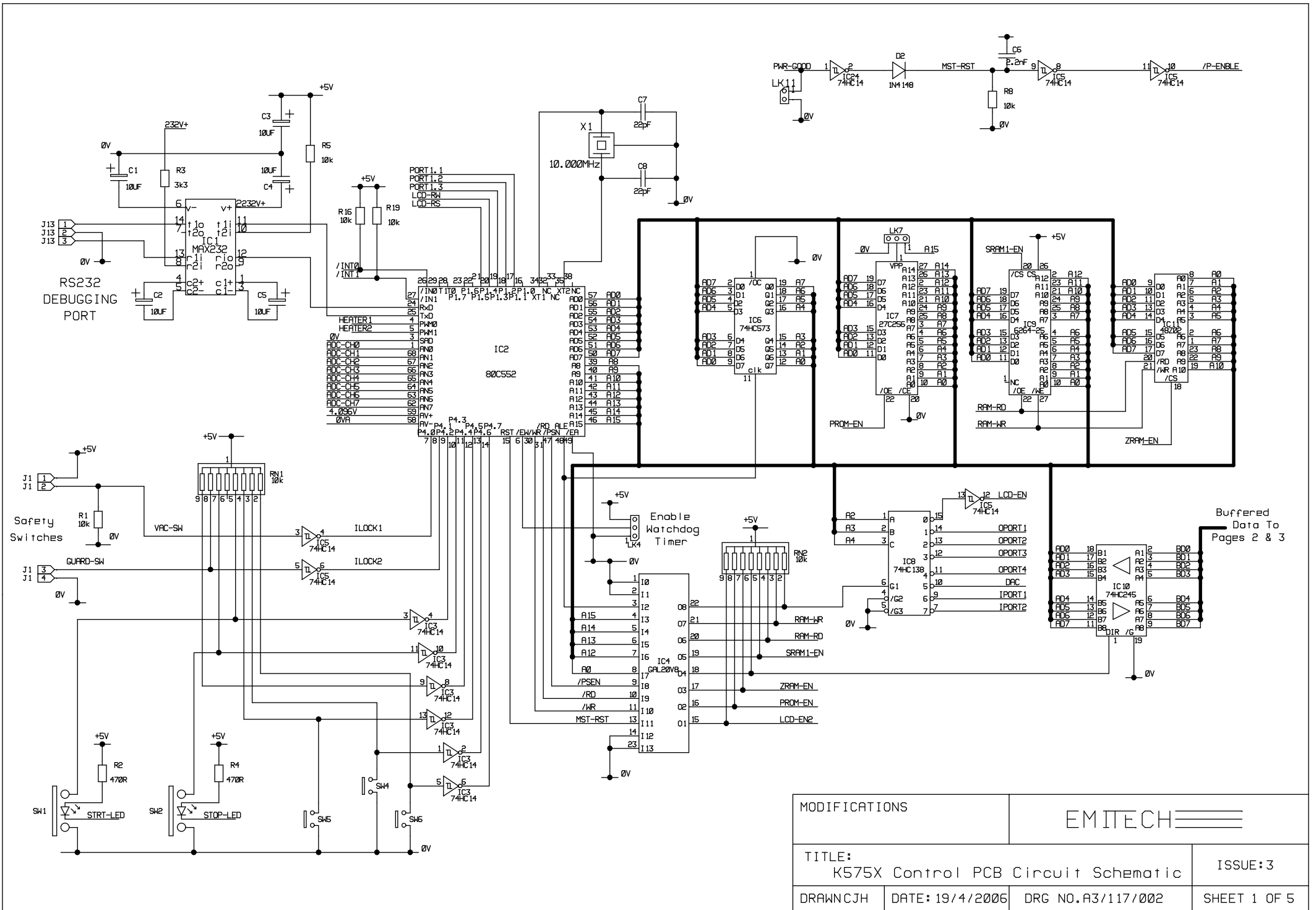


MODIFICATIONS	
TITLE: Generic Sputter Module Circuit	
DRAWN DJR	DATE: 25/11/99

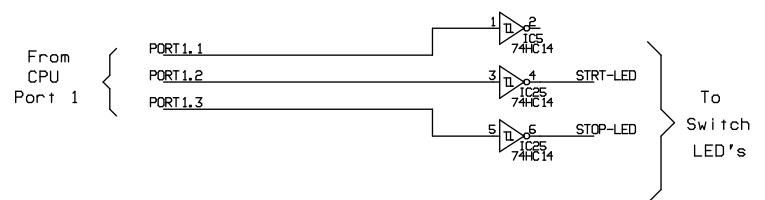
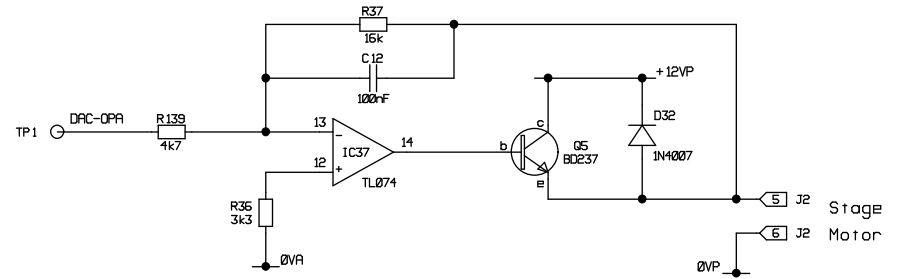
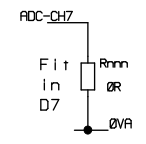
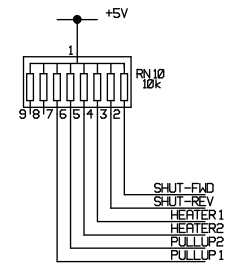
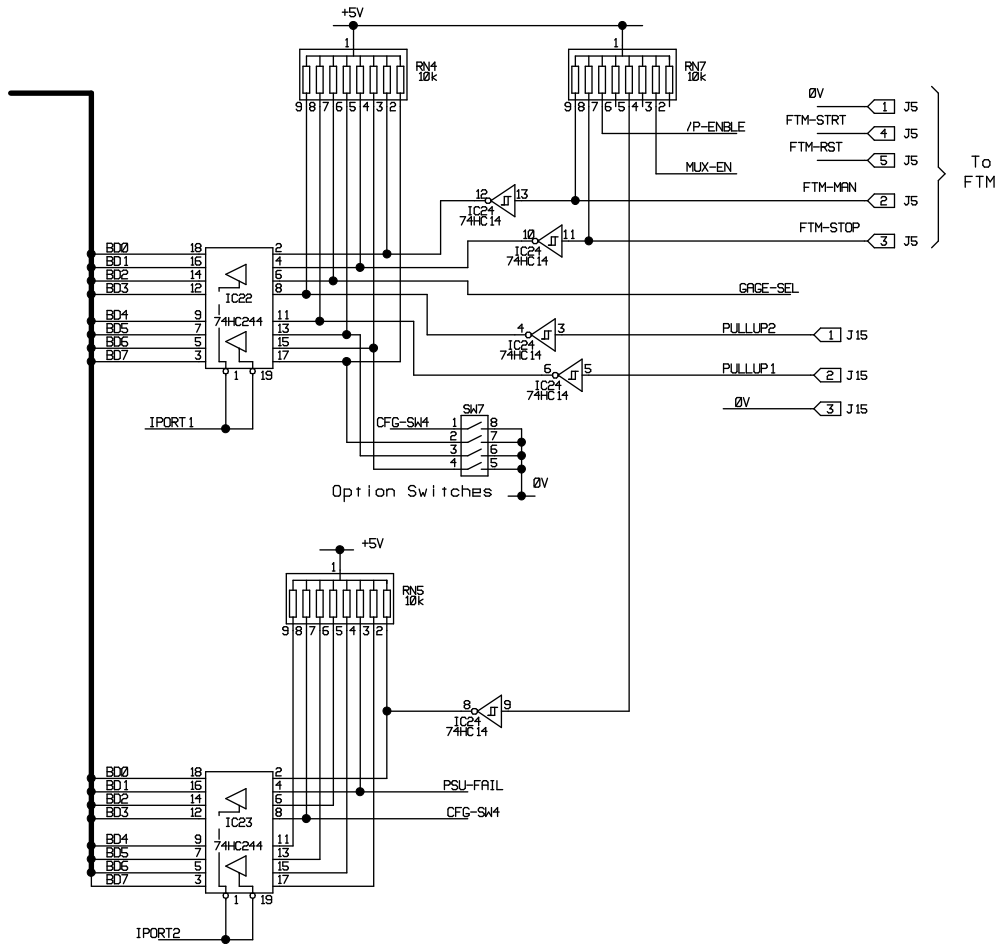
EMITECH	
ISSUE: 3	
DRG NO. A3/001/174	SHEET 1 OF 2



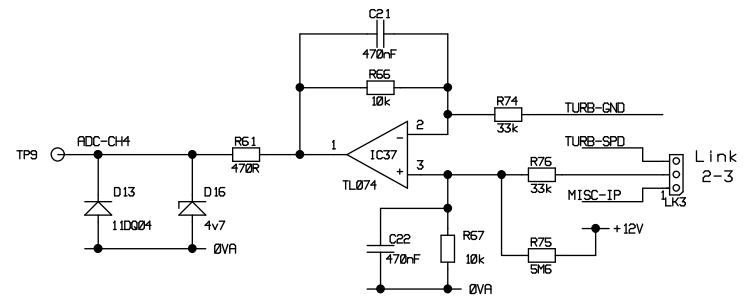
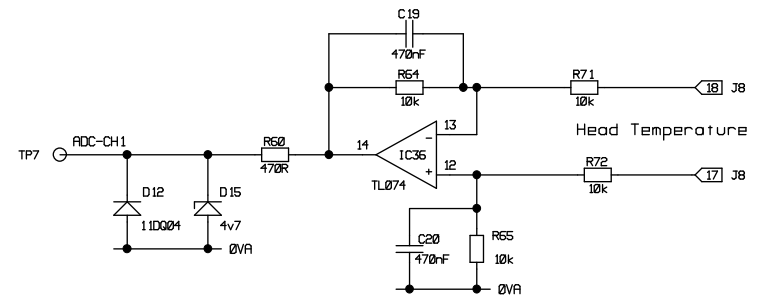
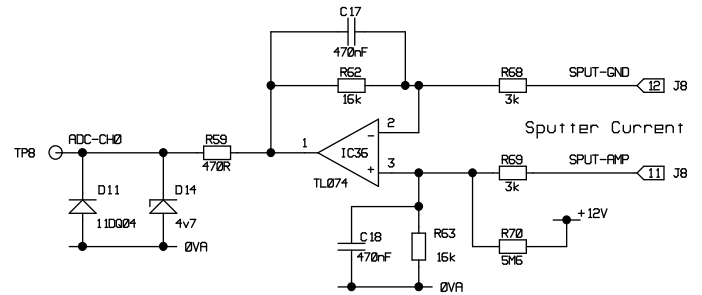
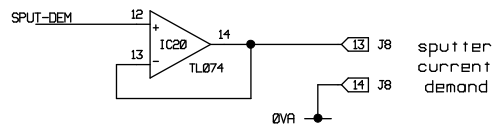
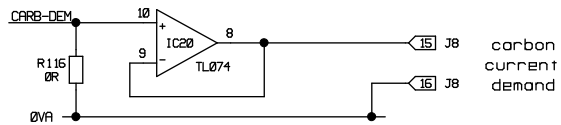
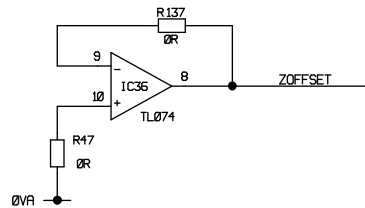
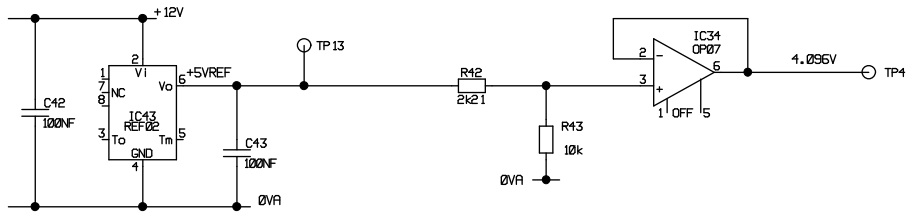
MODIFICATIONS		EMITECH	
TITLE: Generic Sputter Module Circuit		ISSUE: 3	
DRAWN DJR	DATE: 25/11/99	DRG NO. A3/001/174	SHEET 2 OF 2



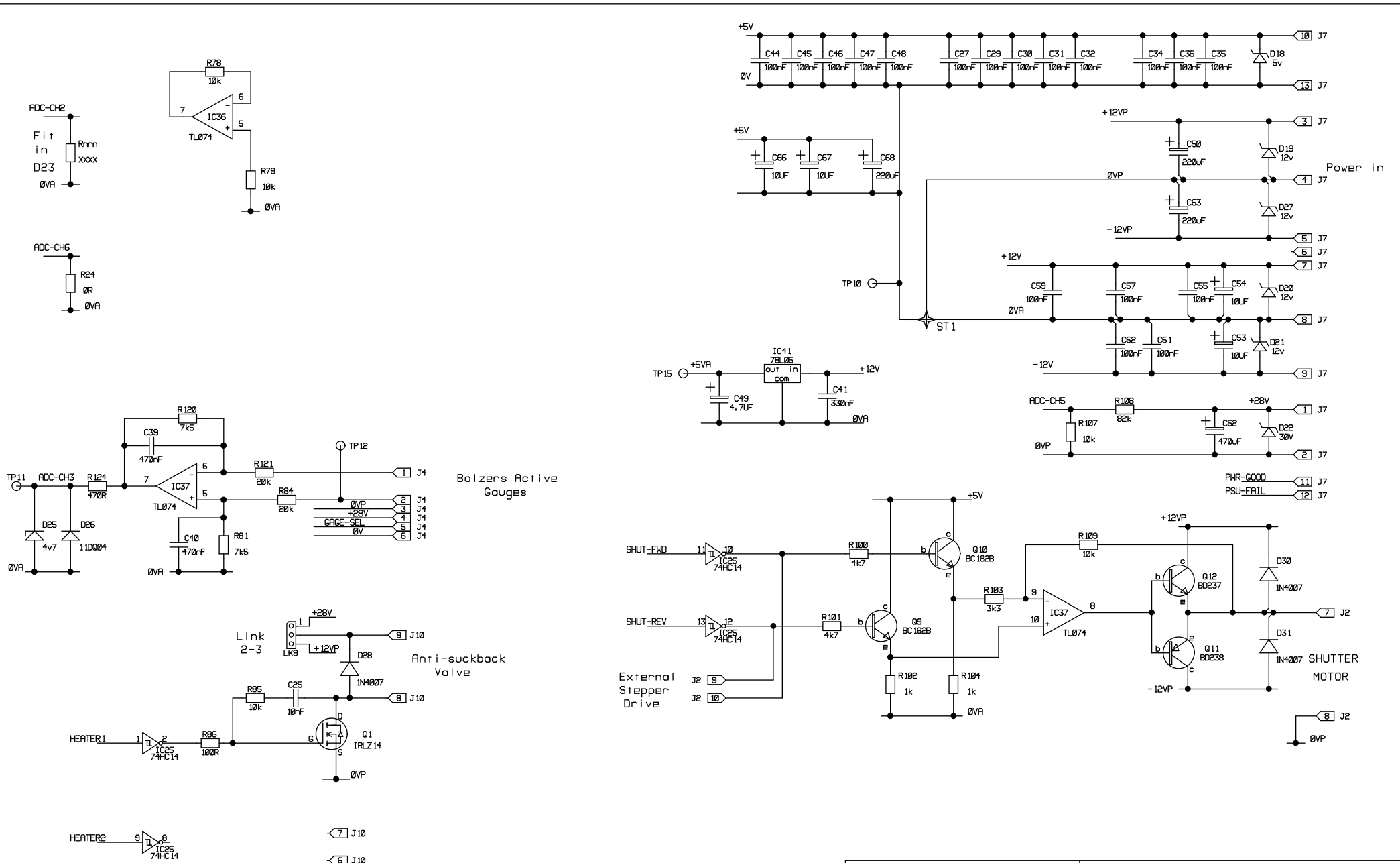
MODIFICATIONS		EMITECH	
TITLE: K575X Control PCB Circuit Schematic		ISSUE:3	
DRAWNCJH	DATE: 19/4/2005	DRG NO.A3/117/002	SHEET 1 OF 5



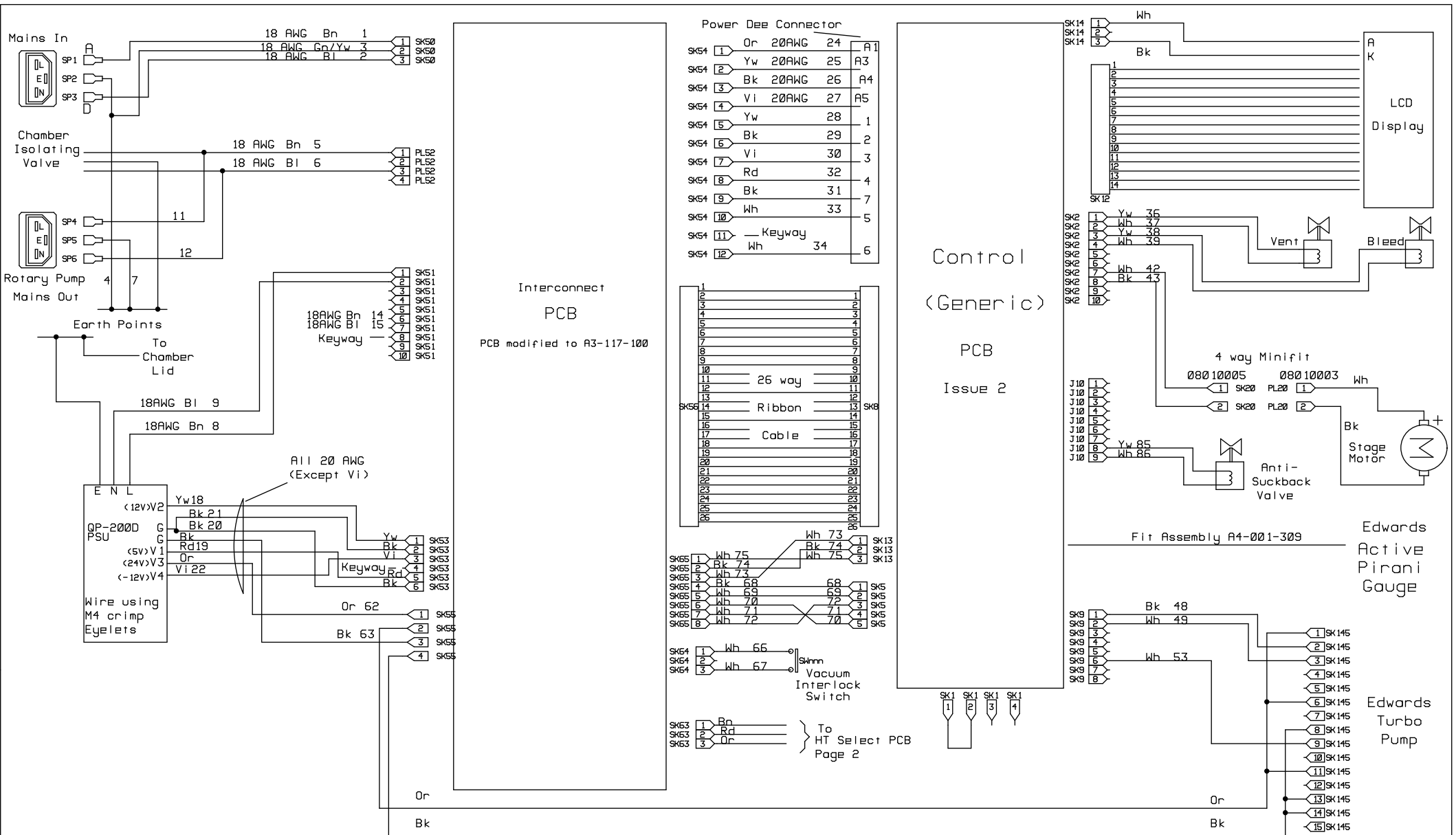
MODIFICATIONS		EMITECH	
TITLE: K575X Control PCB Circuit Schematic		ISSUE: 3	
DRAWN CJH	DATE: 19/4/2006	DRG NO. R3/117/002	SHEET 3 OF 5



MODIFICATIONS		EMITECH	
TITLE: K575X Control PCB Circuit Schematic		ISSUE: 3	
DRAWN CJH	DATE: 19/4/2006	DRG NO. A3/117/002	SHEET 4 OF 5



MODIFICATIONS		EMITECH	
TITLE:		K575X Control PCB Circuit Schematic	
DRAWN CJH		DATE: 19/4/2005	DRG NO. A3/117/002
		ISSUE: 3	SHEET 5 OF 5



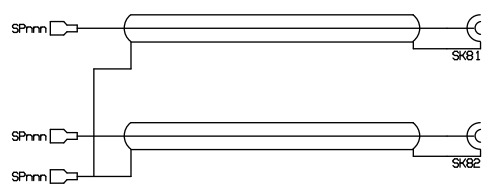
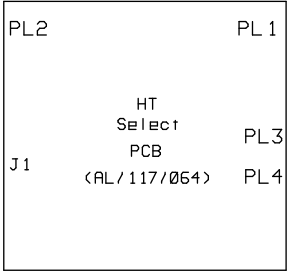
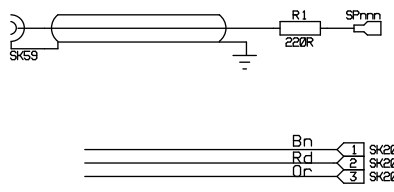
All Wires 24AWG unless otherwise specified

Colour code
Yw - Yellow
Wh - White
Bl - Blue
Bk - Black
Br - Brown
GrY - Green/Yellow
Gr - Grey

MODIFICATIONS		EMITECH	
TITLE: K575XD Wiring Schematic		ISSUE: 4	
DRAWN CJH	DATE: 10/11/2008	DRG NO. A3-117-099	SHEET 1 OF 2

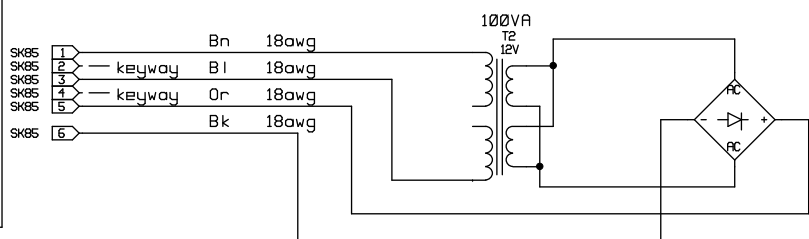
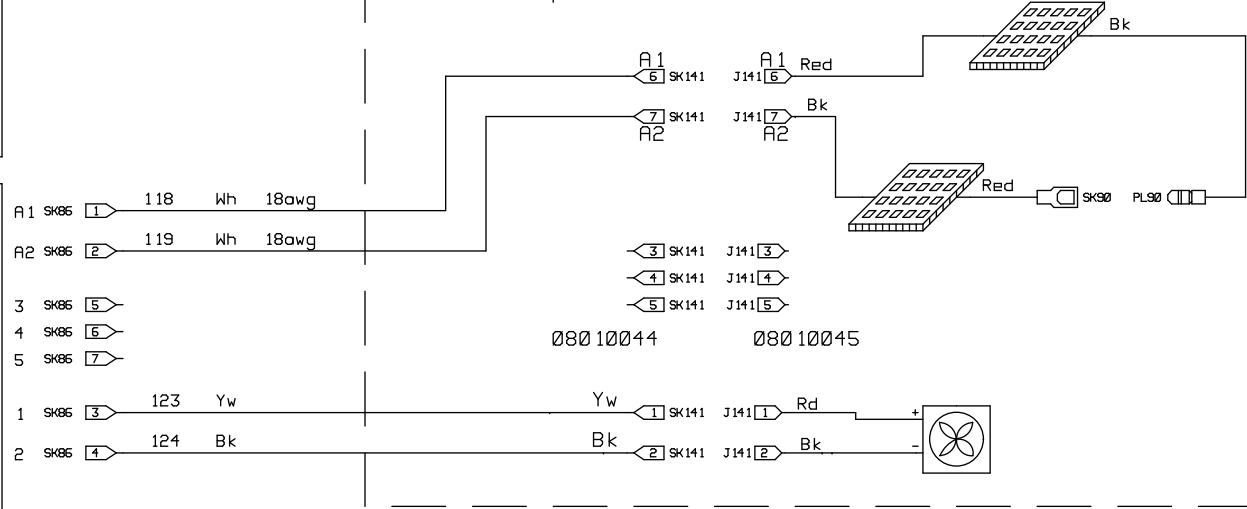
Sputter Supply PCB

Peltier Drive PCB



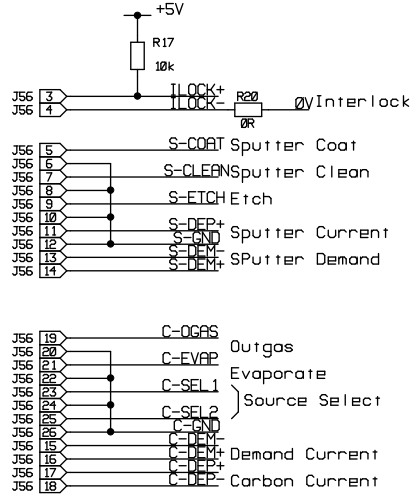
Sputter Target Heads

Mounted on Top Plate



MODIFICATIONS		EMITECH	
TITLE: K575XD Wiring Schematic		ISSUE: 4	
DRAWN CJH	DATE: 10/11/2008	DRG NO. A3-117-099	SHEET 2 OF 2

From
Generic
Control
PCB

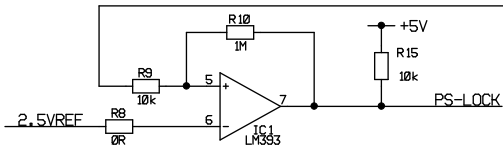
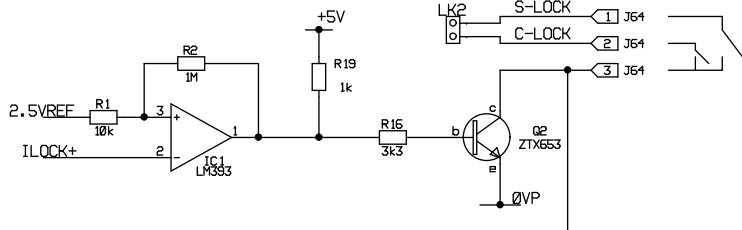


Modification for K575XD

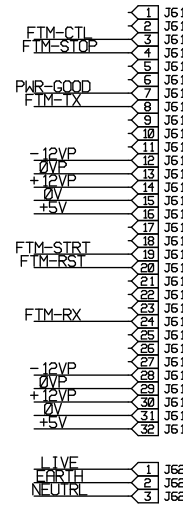
- Link to J33 Pin 8 1 J1nn
- Link to J56 Pin 25 2 J1nn
- Link to J56 Pin 26 3 J1nn
- and J33 Pin 9 4 J1nn
- n.c.

Insert connector in right hand end of J33 position
Cut tracks to pins 1, 2, and 3
Cut track linking J56 pins 24 and 25

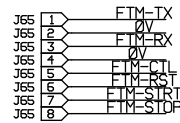
Link when
common interlocking
used



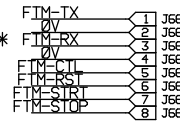
FTM
Slot



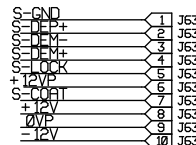
FTM
Controls
From
Generic PCB



** Not Fitted **
To
External FTM

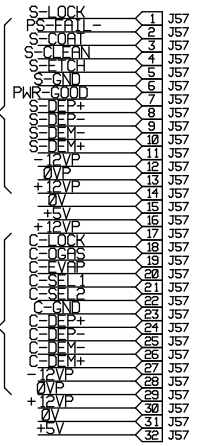


** Not Fitted **
To External
Sputter
Supply



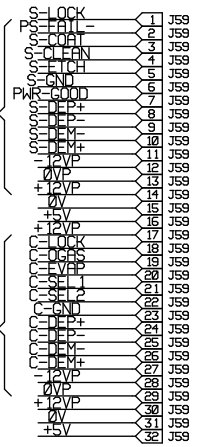
Coater Slot A

Row A
Sputter
Coater
Controls



Coater Slot B

Row A
Sputter
Coater
Controls



Row B
Carbon
Coater
Controls

MODIFICATIONS

EMITECH

TITLE: Generic Interconnect PCB
(With modifications for K575XD)

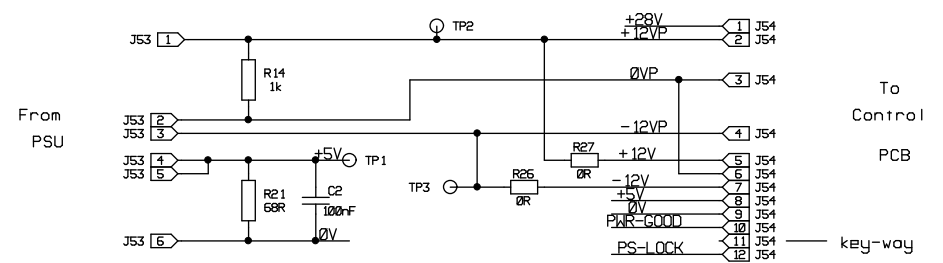
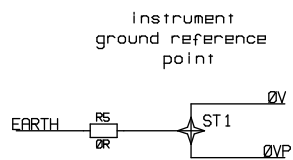
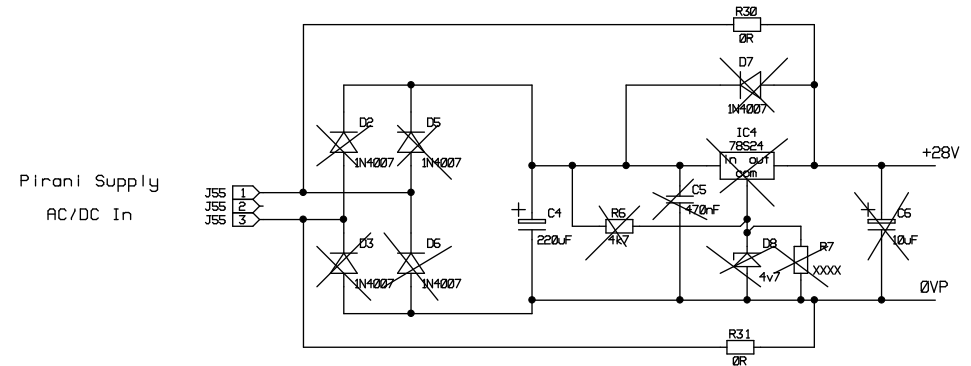
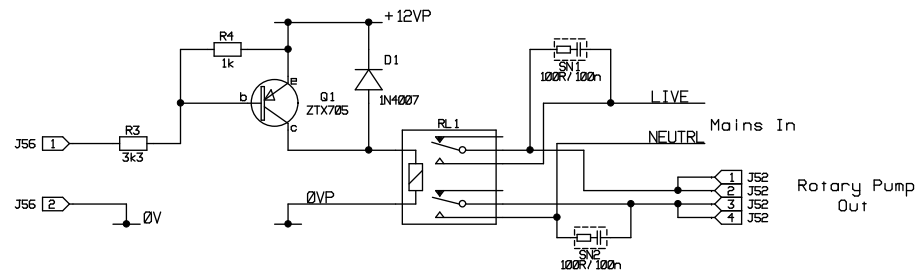
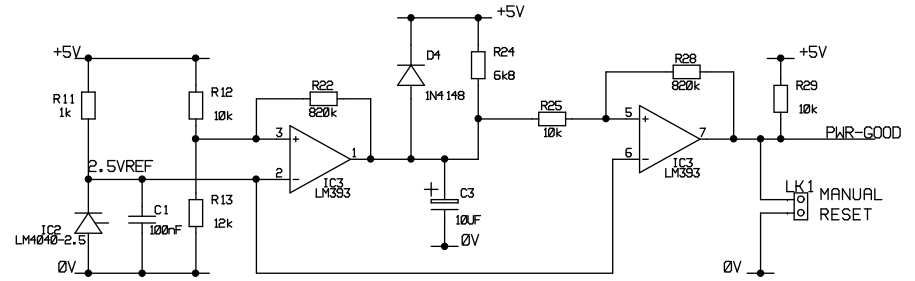
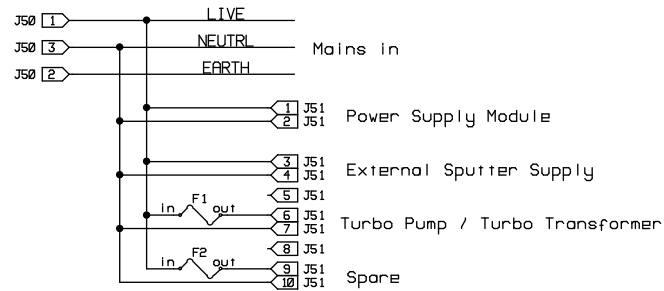
ISSUE: 3

DRAWN DJR

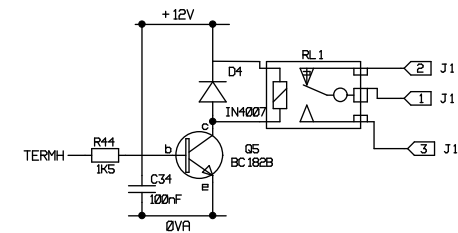
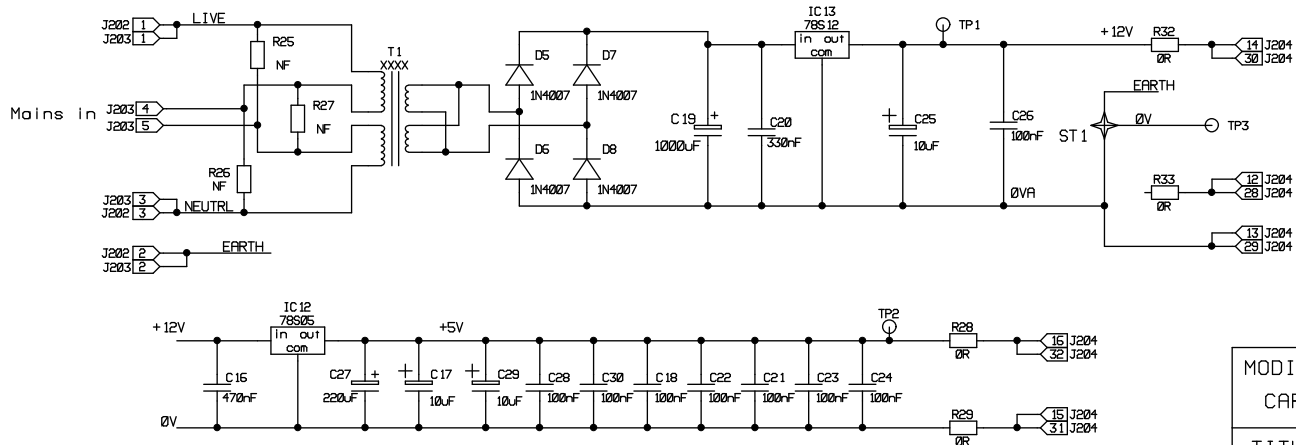
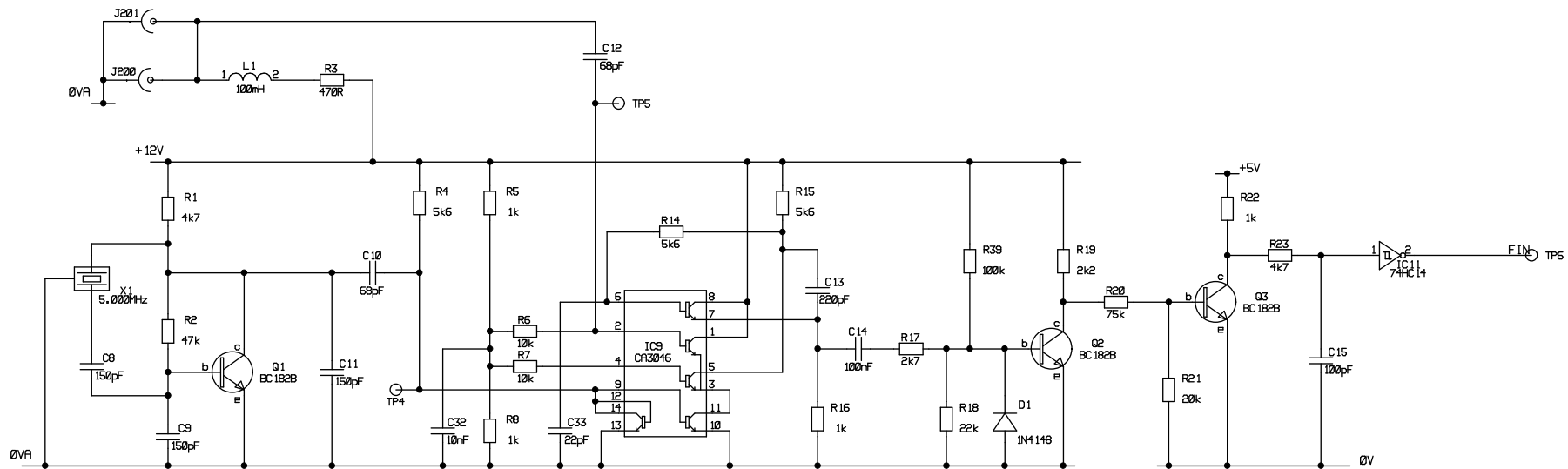
DATE: 05/03/2004

DRG NO. A3/117/100

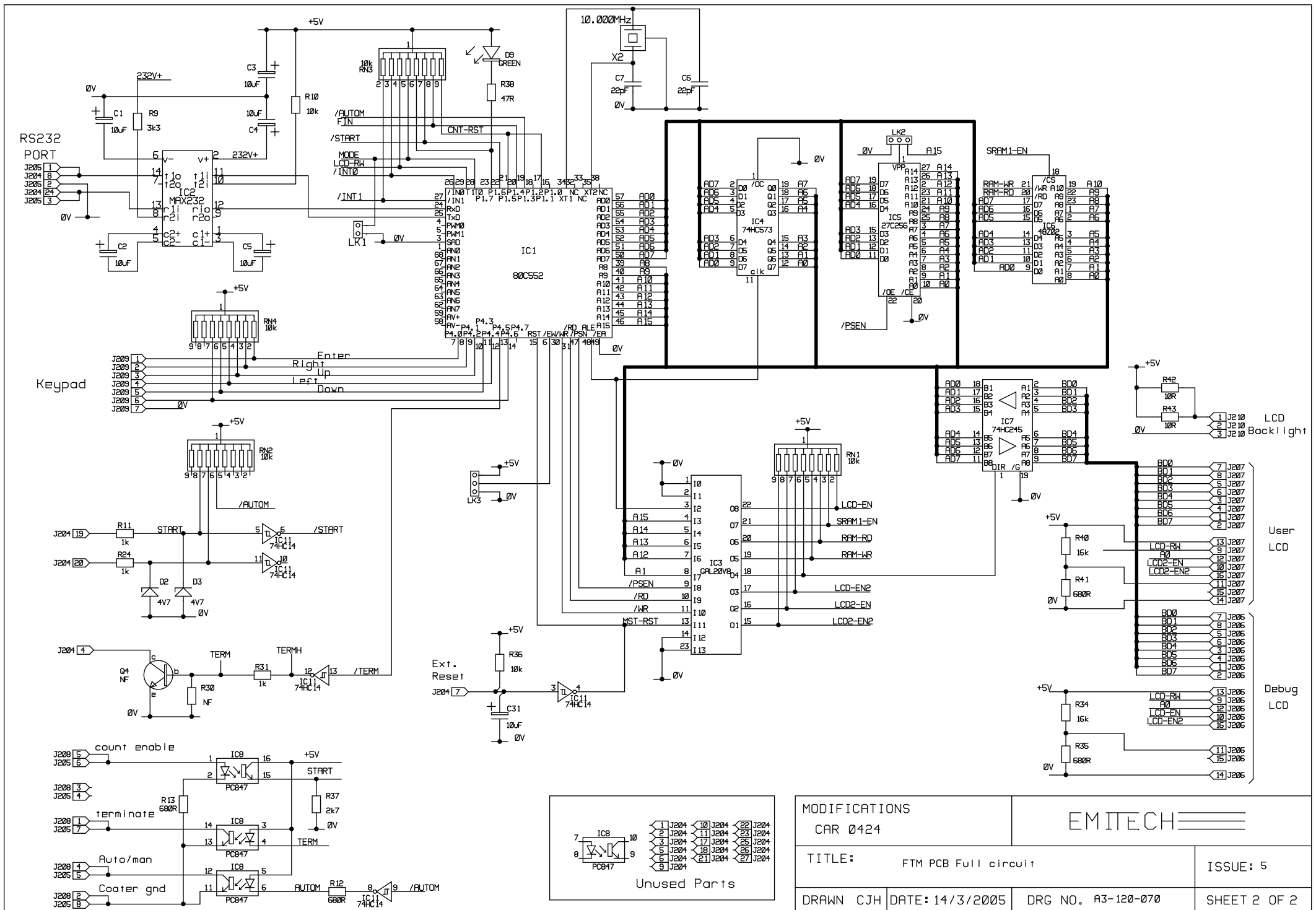
SHEET 1 OF 2



MODIFICATIONS		EMITECH	
TITLE: Generic Interconnect PCB (With modifications for K575XD)		ISSUE: 3	
DRAWN DJR	DATE: 05/03/2004	DRG NO. A3/117/100	SHEET 2 OF 2

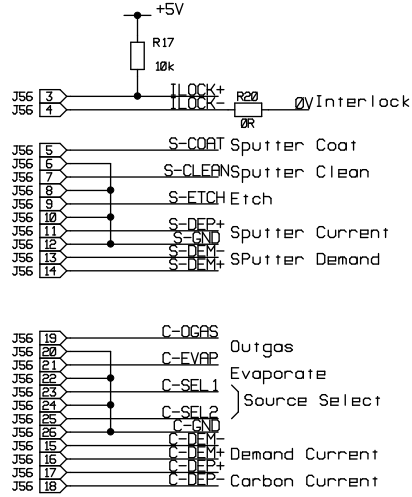


MODIFICATIONS		EMITECH	
CAR 0424			
TITLE: FTM PCB Full circuit		ISSUE: 5	
DRAWN CJH	DATE: 14/3/2005	DRG NO. A3-120-070	SHEET 1 OF 2



MODIFICATIONS		EMITECH	
CAR 0424			
TITLE: FTM PCB Full circuit		ISSUE: 5	
DRAWN CJH	DATE: 14/3/2005	DRG NO. A3-120-070	SHEET 2 OF 2

From
Generic
Control
PCB

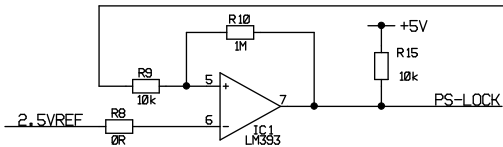
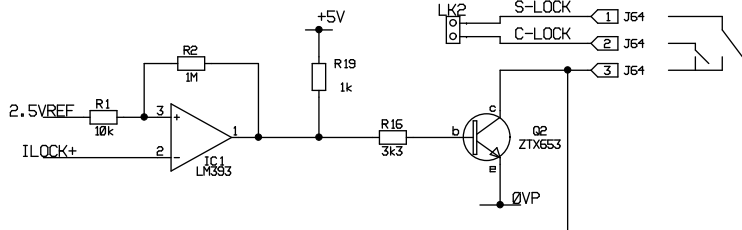


Modification for K575XD

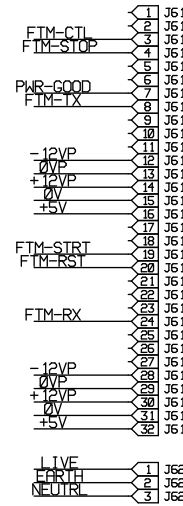
- Link to J33 Pin 8 1 Jmm
- Link to J56 Pin 25 2 Jmm
- Link to J56 Pin 26 3 Jmm
- and J33 Pin 9 4 Jmm
- n.c.

Insert connector in right hand end of J33 position
Cut tracks to pins 1, 2, and 3
Cut track linking J56 pins 24 and 25

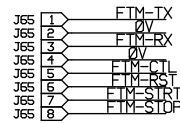
Link when common interlocking used



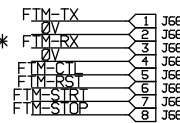
FTM
Slot



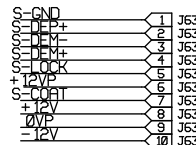
FTM
Controls
From
Generic PCB



** Not Fitted **
To
External FTM



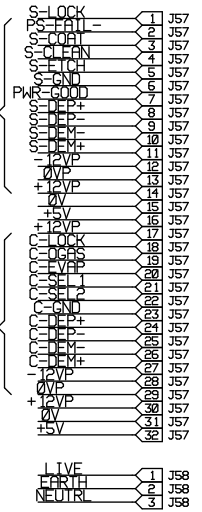
** Not Fitted **
To External
Sputter
Supply



Coater Slot A

Row A
Sputter
Coater
Controls

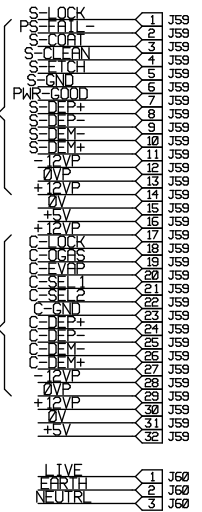
Row B
Carbon
Coater
Controls



Coater Slot B

Row A
Sputter
Coater
Controls

Row B
Carbon
Coater
Controls



MODIFICATIONS

EMITECH

TITLE: Generic Interconnect PCB
(With modifications for K575XD)

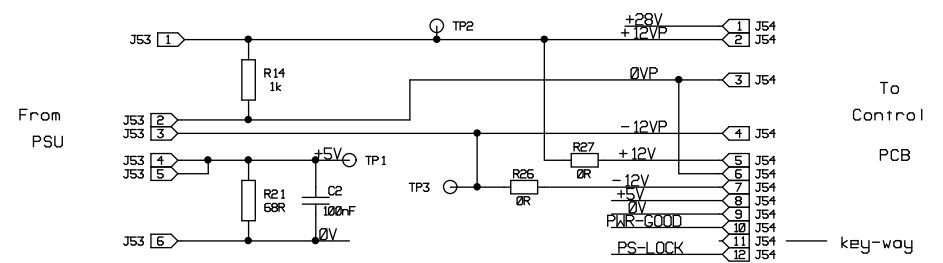
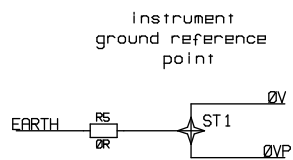
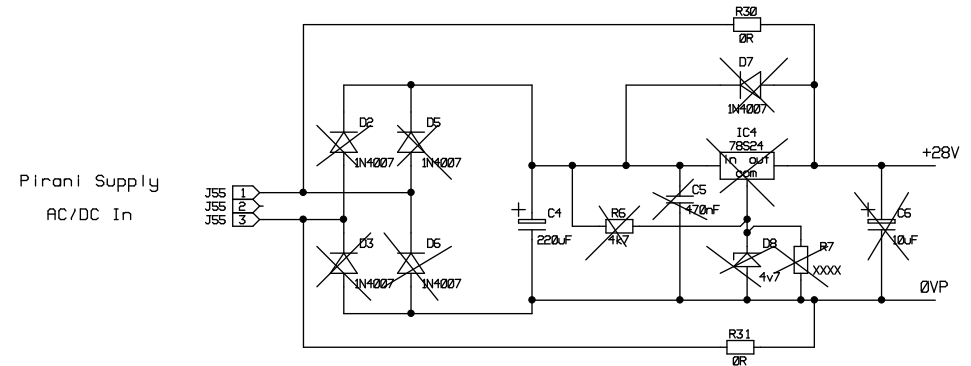
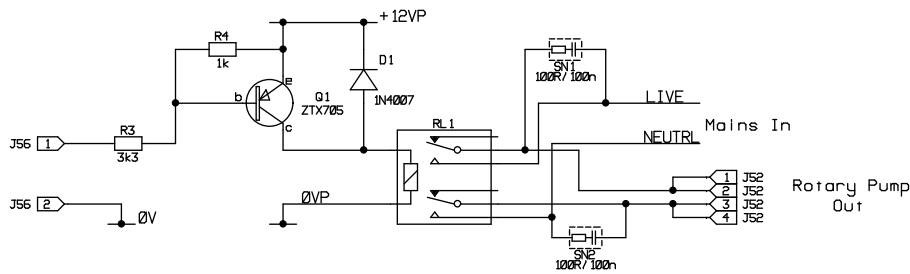
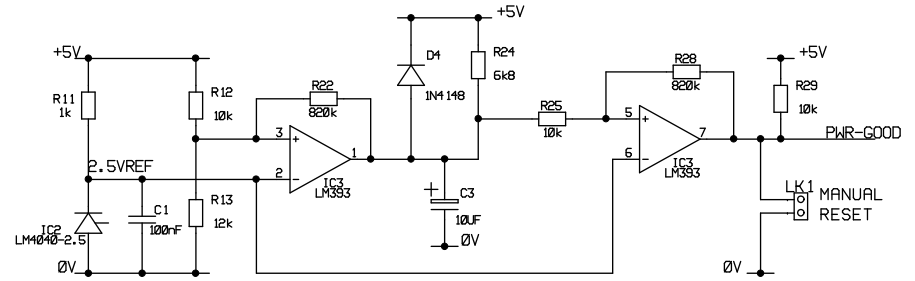
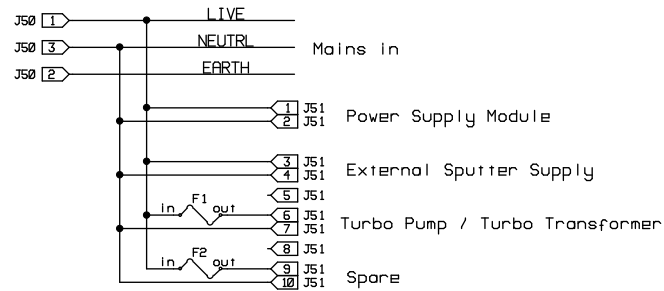
ISSUE: 3

DRAWN DJR

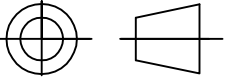
DATE: 05/03/2004

DRG NO. A3/117/100

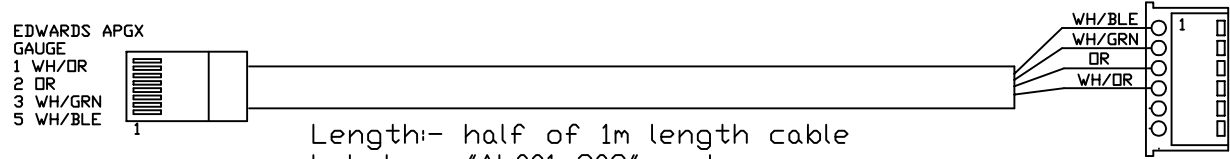
SHEET 1 OF 2



MODIFICATIONS		EMITECH	
TITLE: Generic Interconnect PCB (With modifications for K575XD)		ISSUE: 3	
DRAWN DJR	DATE: 05/03/2004	DRG NO. A3/117/100	SHEET 2 OF 2

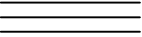
PROJECTION 

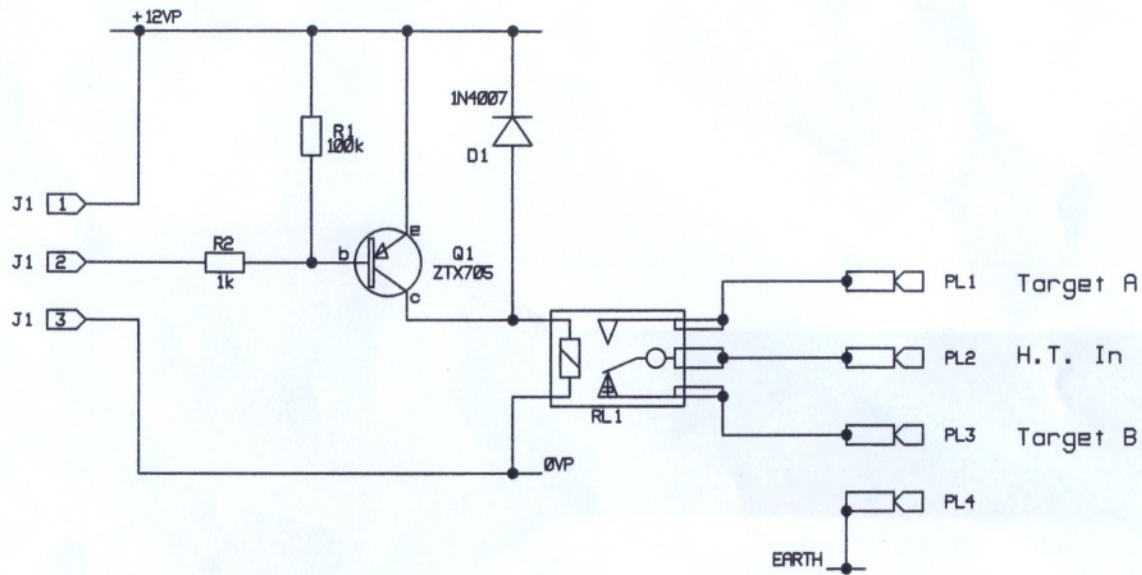
DO NOT SCALE



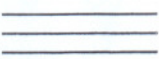
Length:- half of 1m length cable
 Label as "AL001-309" and cover
 with 45mm of 6.4mm dia clear
 shrink sleeving (03920004)

This lead is compatable with any control PCB built on the A3-001-020 PCB

ISS	MODIFICATION	DATE	MATL.N/A	DRN	EMITECH 	TOLS:- DIMS IN mm DECIMAL+- 0.1 WHOLE NOS +-0.5 ANGLES+-15' UNLESS OTHERWISE STATED
				CJH		
				DATE	TITLE	DRG No A4-001-309
				3/12/04		
			FINISH N/A	APP	Edwards Pirani	ISS 1
				SHEET	Lead Type A	
				1 OF 1		



ORIGINAL

MODIFICATIONS		EMITECH 	
DRAWN DJR	TITLE: H.T. Switching PCB	ISSUE: 1	
DATE: 14/03/01	DRG NO. A4/117/063	SHT 1 OF 1	