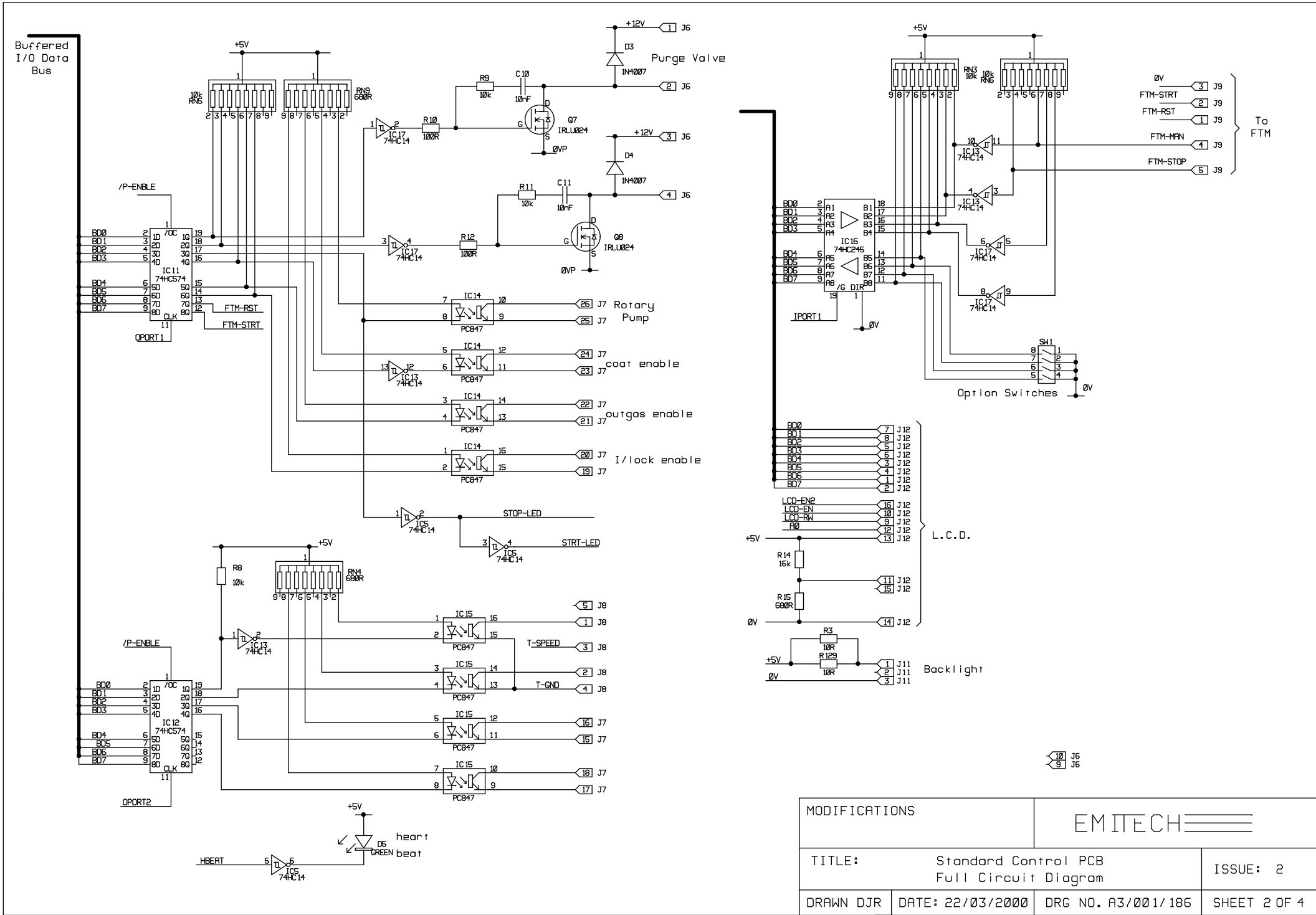
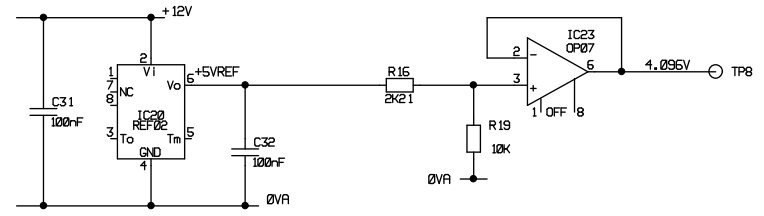
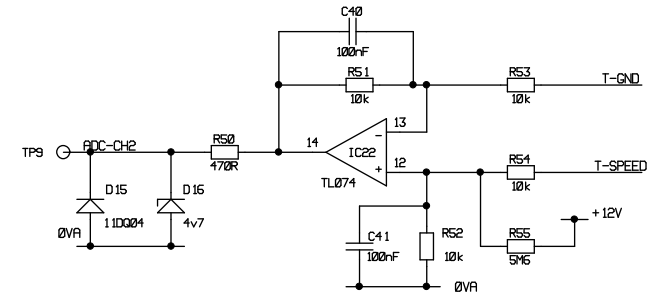
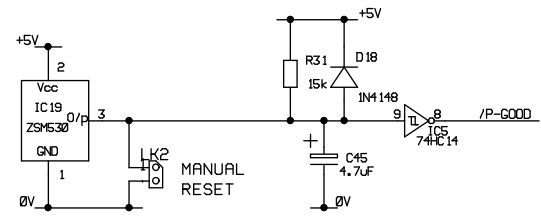
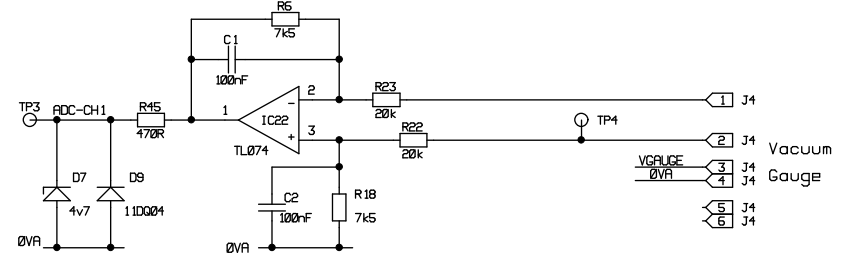
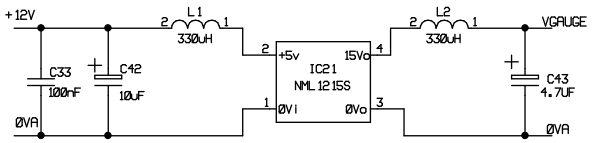
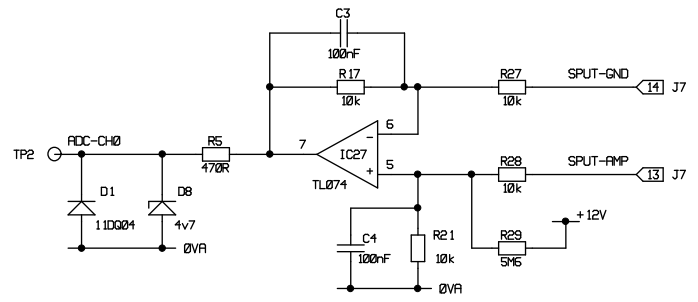
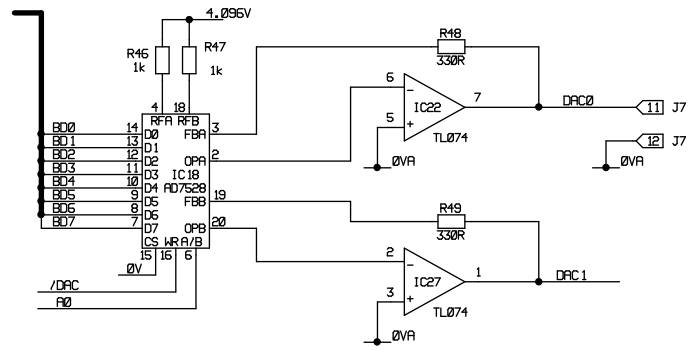


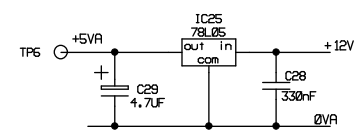
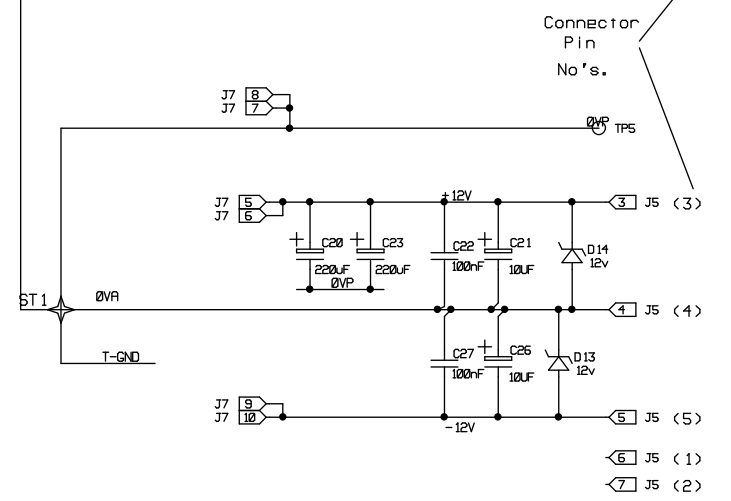
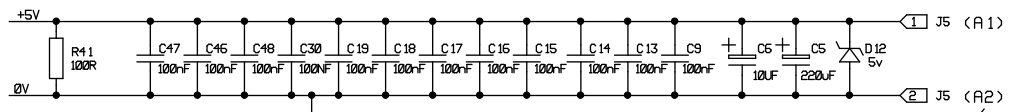
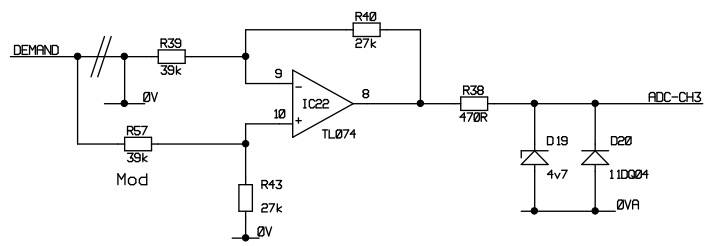
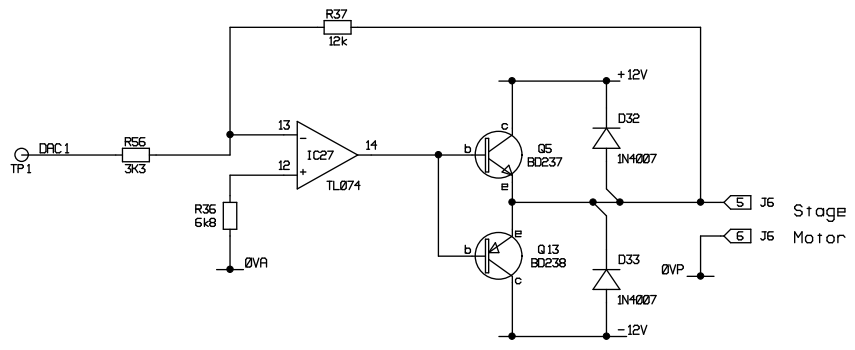
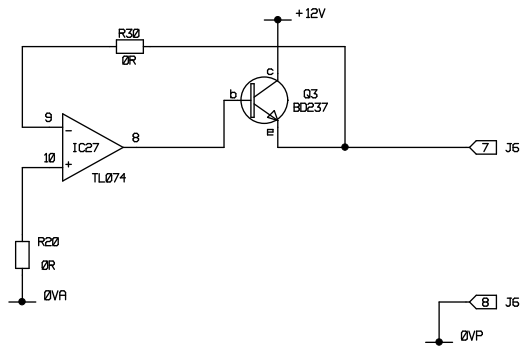
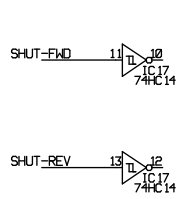
MODIFICATIONS		EMITECH	
TITLE:		Standard Control PCB Full Circuit Diagram	
ISSUE:	2		ISSUE:
DRAWN DJR	DATE: 22/03/2000	DRG NO. A3/001/186	SHEET 1 OF 4



MODIFICATIONS		EMITECH	
TITLE:		Standard Control PCB Full Circuit Diagram	
ISSUE:	2		
DRAWN DJR	DATE: 22/03/2000	DRG NO. A3/001/186	SHEET 2 OF 4

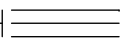


MODIFICATIONS		EMITECH	
TITLE:		Standard Control PCB Full Circuit Diagram	
DRAWN DJR	DATE: 22/03/2000	DRG NO. A3/001/186	ISSUE: 2
			SHEET 3 OF 4



MODIFICATIONS		EMITECH	
TITLE: Standard Control PCB Full Circuit Diagram		ISSUE: 2	
DRAWN DJR	DATE: 22/03/2000	DRG NO. A3/001/185	SHEET 4 OF 4

MODIFICATIONS

EMITECH 

TITLE: Generic Control PCB  
Full Circuit Diagram

ISSUE: 1

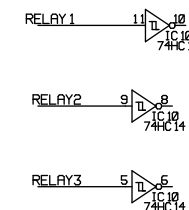
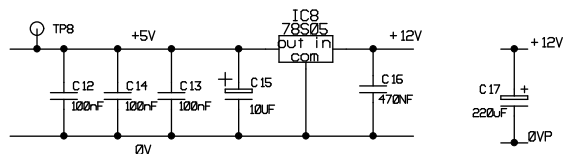
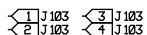
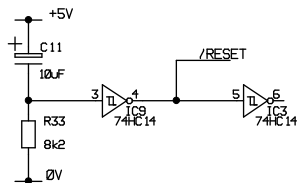
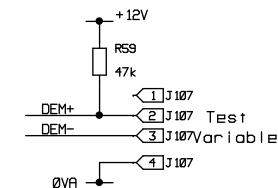
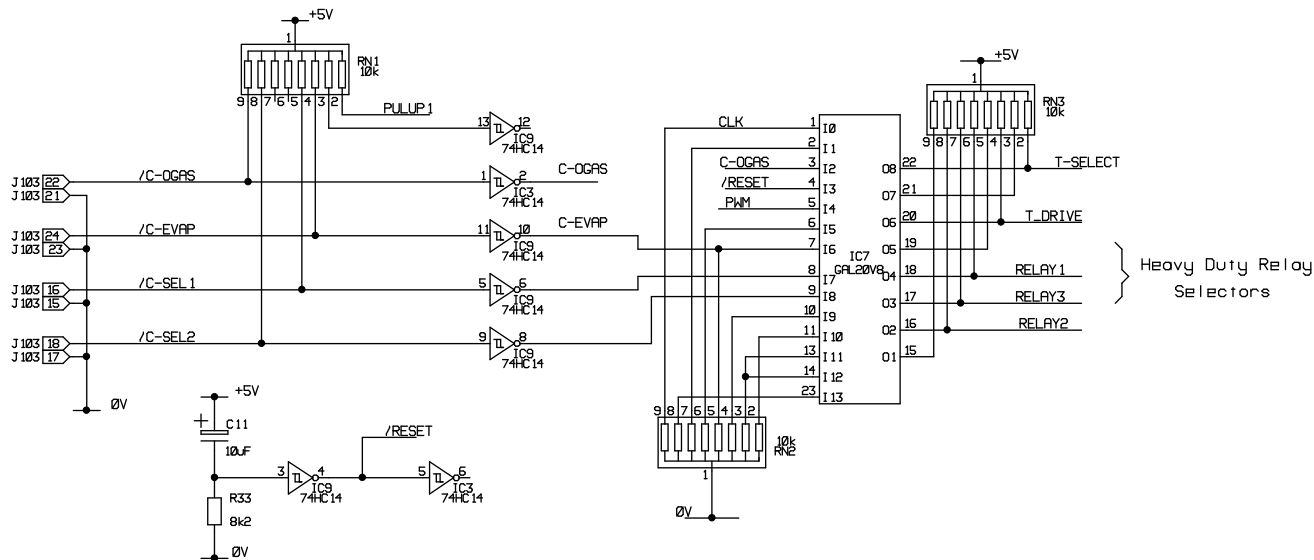
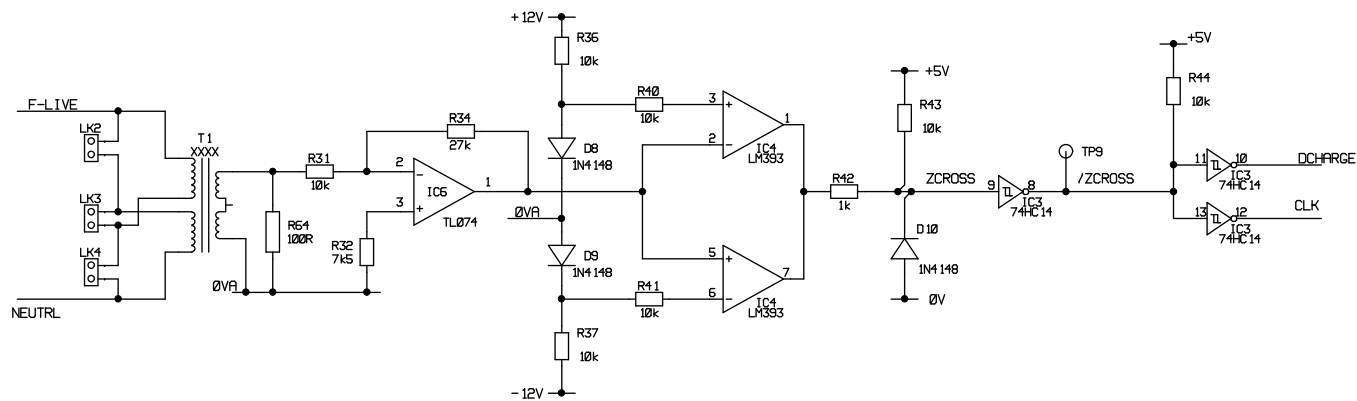
DRAWN DJR

DATE: 17/07/96

DRG NO. A3/001/014

SHEET 5 OF 5





MODIFICATIONS		EMITECH	
TITLE: Std. Evaporate Drive PCB		ISSUE: 3	
DRAWN DJR	DATE: 11/05/2000	DRG NO. A3/001/229	SHEET 2 OF 2

