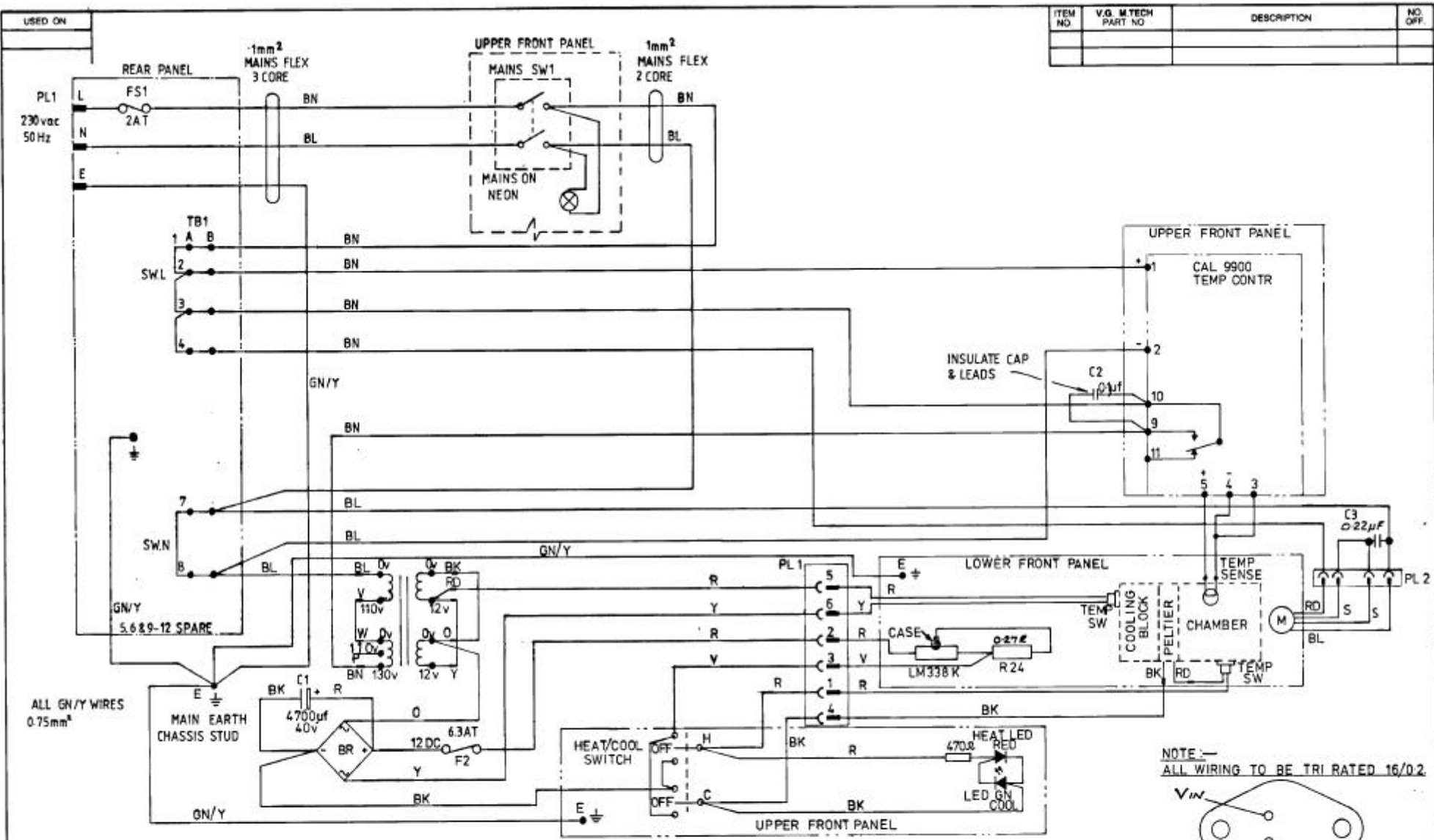


ITEM NO.	V.G. M.TECH PART NO.	DESCRIPTION	NO. OFF.



NOTE: ALL WIRING TO BE TRI RATED 16/0.2



DO NOT SCALE DRAWING		REMOVE ALL BURRS		FOR EXPLANATION OF DIMENSIONS, TOLERANCES, NOTES ETC. SEE BS 308 (MECHANICAL) OR BS 3635 (ELECTRONICS)				UNLESS OTHERWISE STATED - DIMENSIONAL TOLERANCE: 0 ± 0.1mm, 0.30 ± 0.2mm, 0.50 ± 0.1mm		PROJECTION	IF IN DOUBT - ASK
MODIFICATION	DATE	ISS	MODIFICATION	DATE	ISS	ENG	W.G.	GEOMETRICAL FORM TO BE WITHIN ABOVE DIMENSIONAL TOLERANCE	MATERIAL	FINISH	
			ZB 1164	6/8/96	4	DN	A.J.C.	ANGULAR TOLERANCE ± 9° 30'			
			ZB 1089	12/6/95	3	PASSED		DRILLED HOLES ± 0.05 mm SURFACE FINISH 1.6µm DIMENSIONS IN MILLIMETRES	FISONS PLC / VG MICROTECH		
			ZB 1042	12/6/93	2			SCALE	TITLE	CPD 7501 240v WIRING DIAGRAM	DRAWING NO. HF 750101 C
ZB 1176	3/2/96	5	ORIGINAL	9/2/93	1	APPD			STRICTLY CONFIDENTIAL COPYRIGHT FISONS PLC © 1993		

