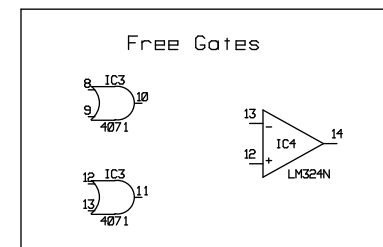
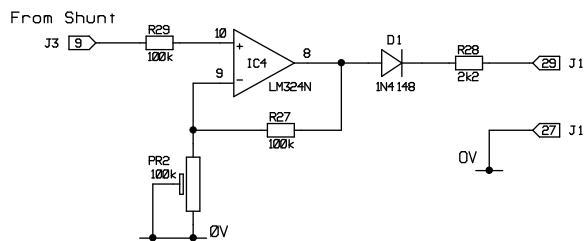
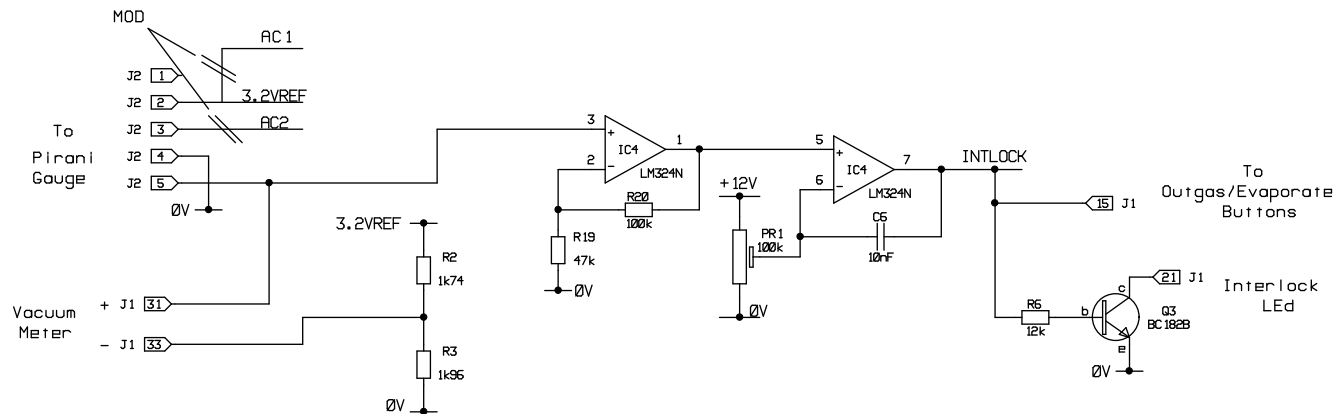
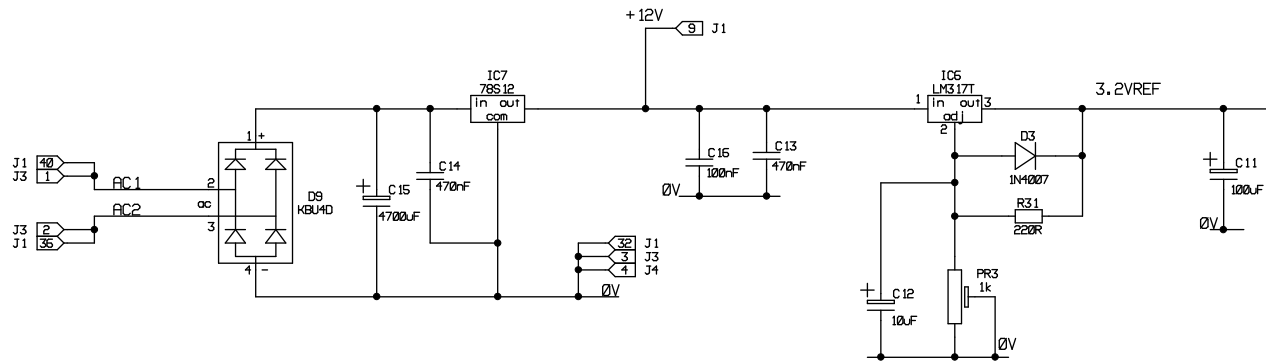


MODIFICATIONS		EMITECH	
TITLE:		K400 Control PCB (Using K950 Bare Board)	
DRAWN DJR	DATE: 04/06/98	DRG NO. A3/210/010	ISSUE: 1
			SHEET 1 OF 2



MODIFICATIONS		EMITECH	
TITLE:		K400 Control PCB (Using K950 Bare Board)	ISSUE: 1
DRAWN DJR	DATE: 04/05/98	DRG NO. A3/210/010	SHEET 2 OF 2

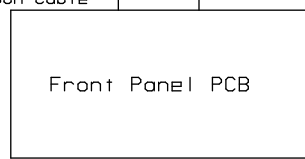
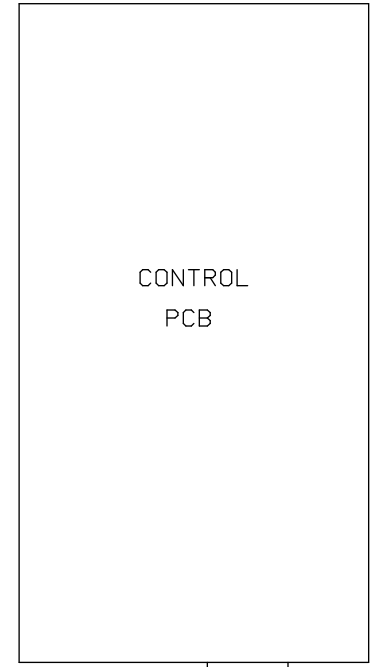
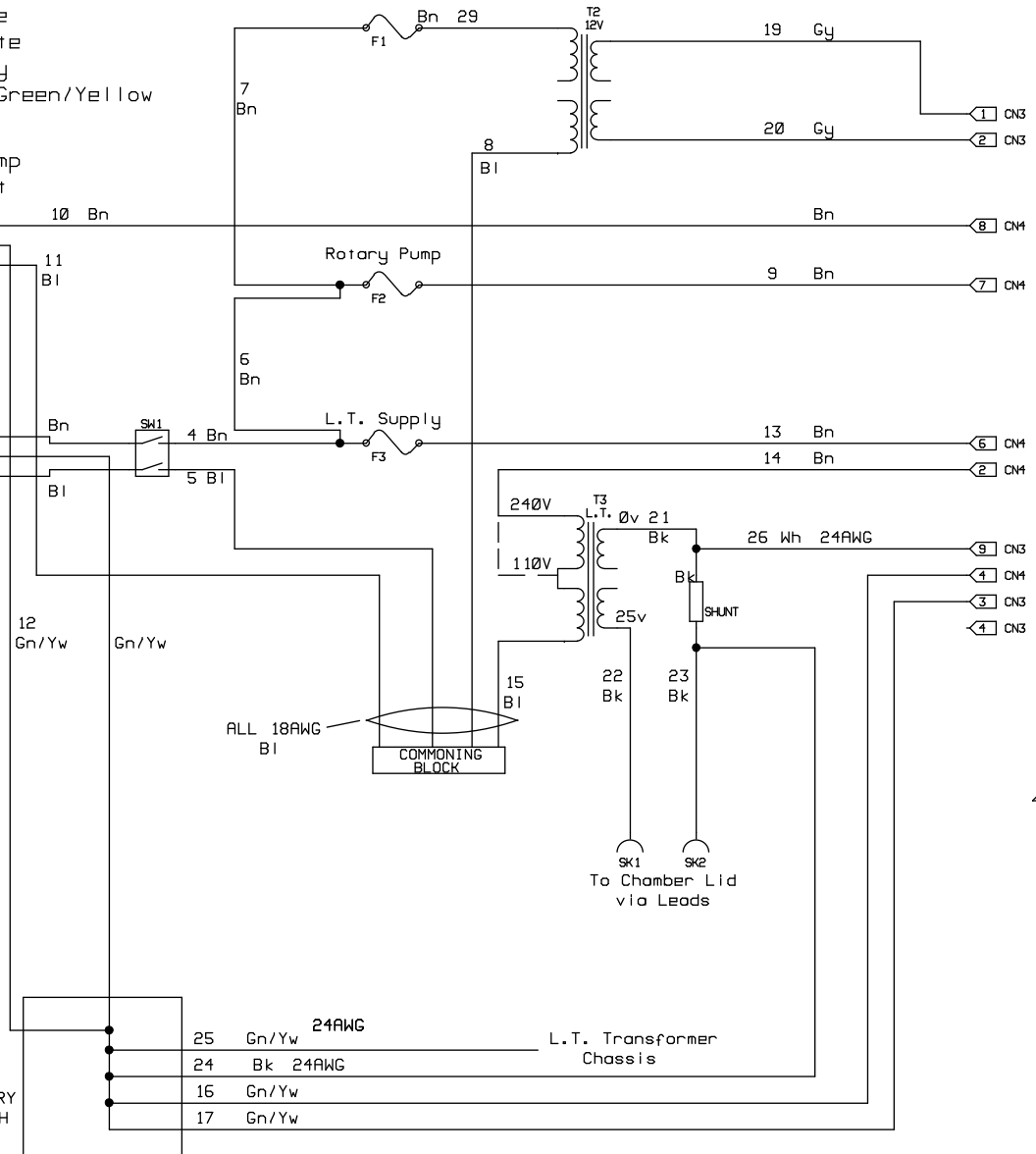
NOTE:  
 Unless Otherwise Stated  
 ALL cables are 18AWG  
 Yw= Yellow  
 Bn= Brown  
 Bl= Blue  
 Wh= White  
 Gy= Grey  
 Gn/Yw= Green/Yellow

Rotary Pump  
 IEC Outlet

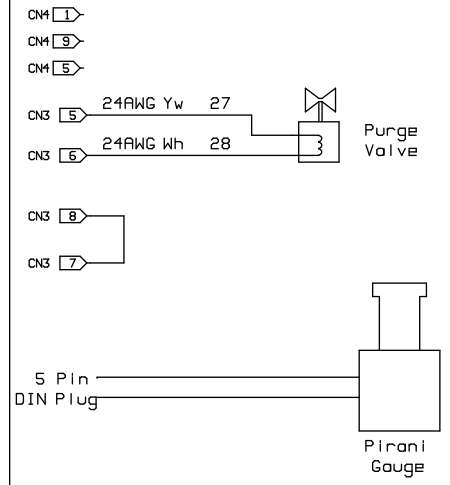


FILTERED  
 MAINS IN  
 230/120V  
 50/60Hz

PRIMARY  
 EARTH  
 STUD



40Way Ribbon Cable



MODIFICATIONS		EMITECH	
TITLE: Standard K400 Instrument Wiring Schematic		ISSUE: 1	
DRAWN DJR	DATE: 15/05/98	DRG NO. A3/210/007	SHEET 1 OF 1