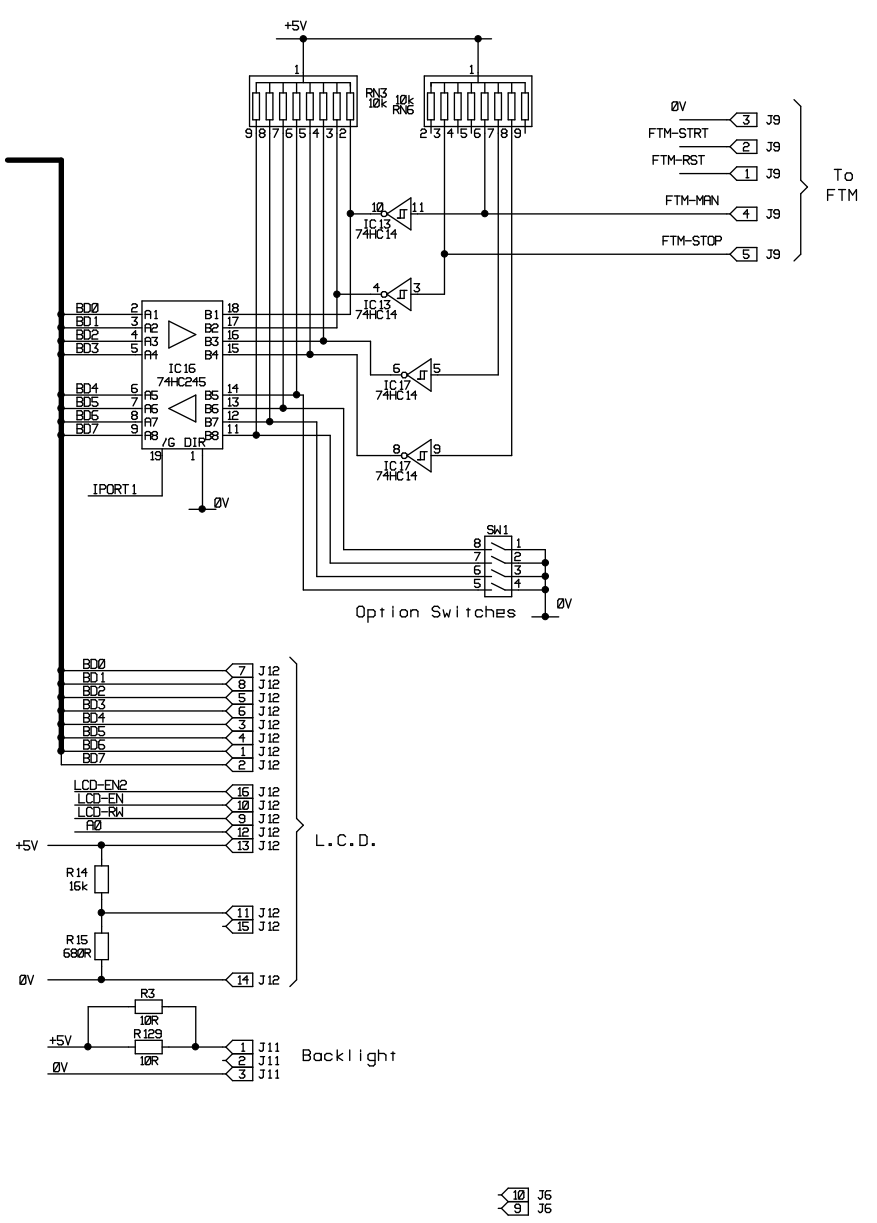
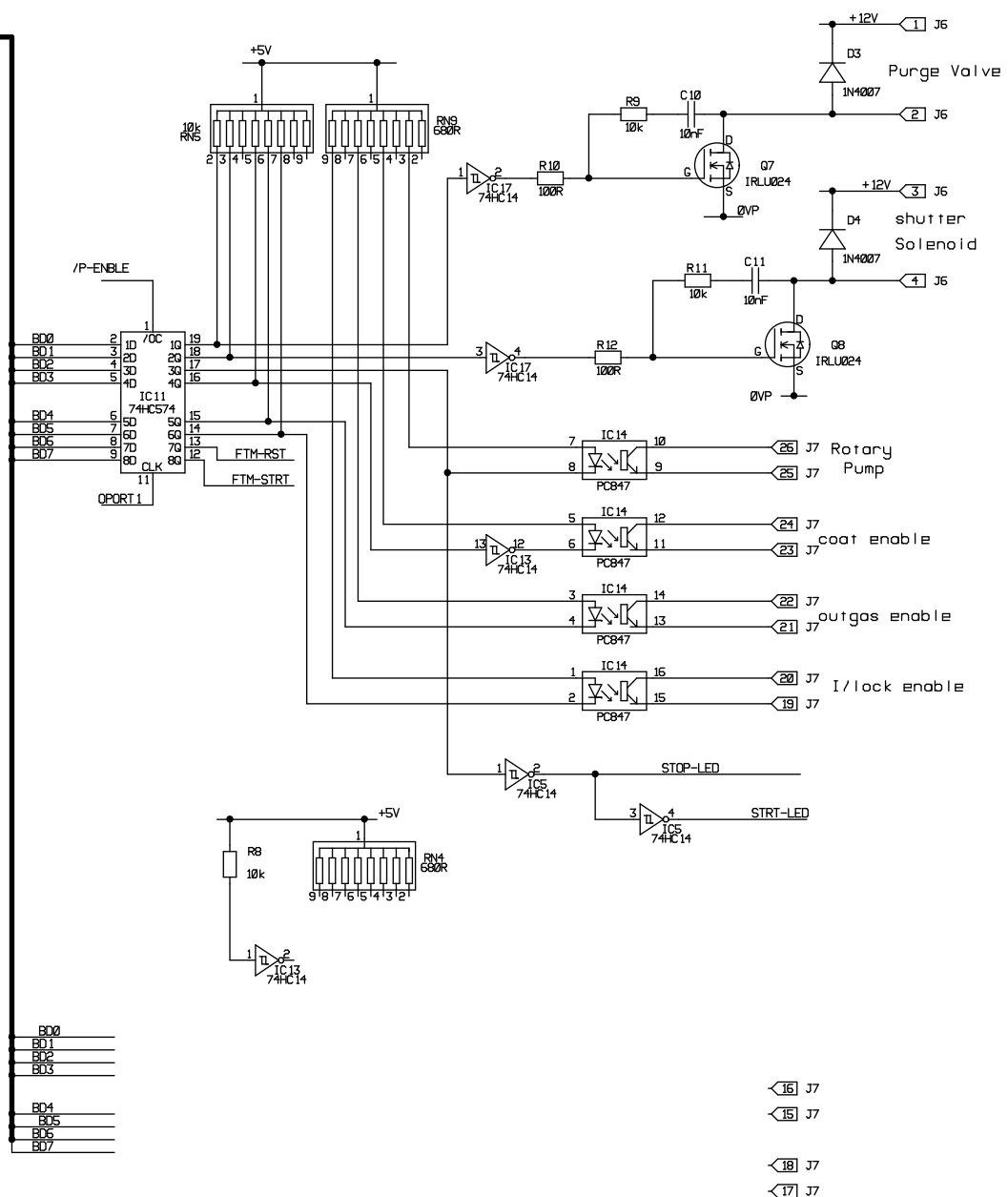


Keypad
PCB

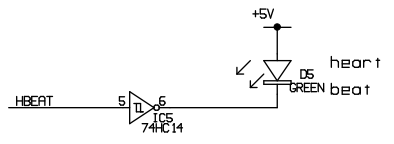
- J2 12 +5V
- J2 11 0V
- J2 10 Left
- J2 9 Right
- J2 8 Down
- J2 7 Up
- J2 6 Enter
- J2 5 Stop
- J2 4 Start
- J2 3 START-LED
- J2 2 STOP-LED
- J2 1 DEMAND

MODIFICATIONS		EMITECH	
TITLE: K450X Control PCB Circuit Schematic		ISSUE: 2	
DRAWN DJR	DATE: 15/05/2000	DRG NO. A3/207/002	SHEET 1 OF 4

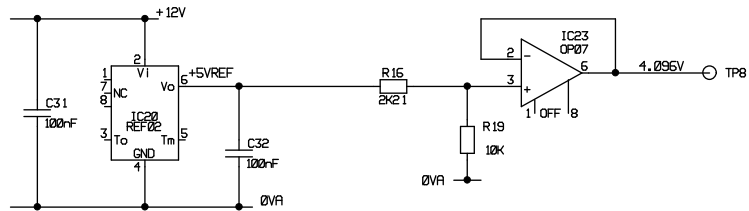
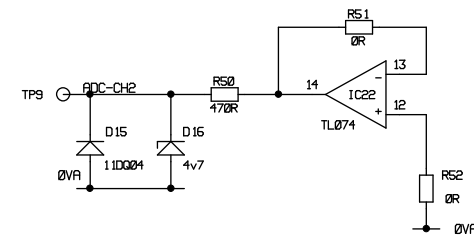
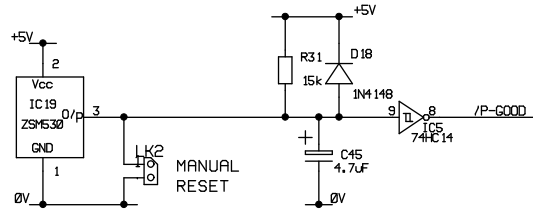
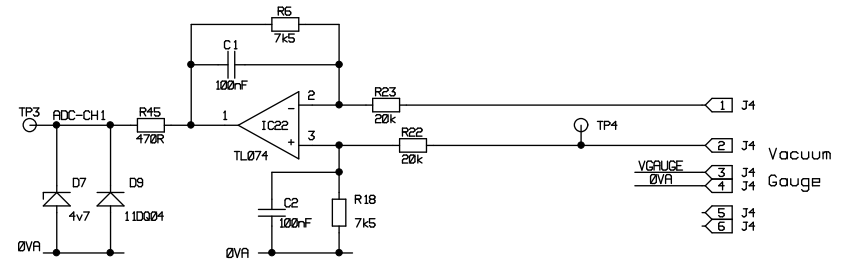
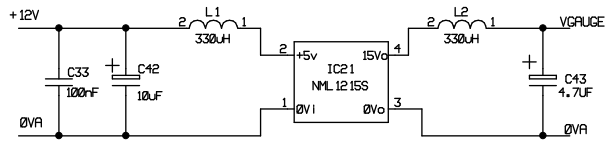
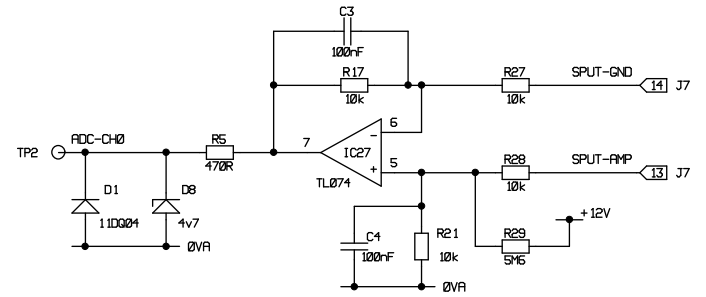
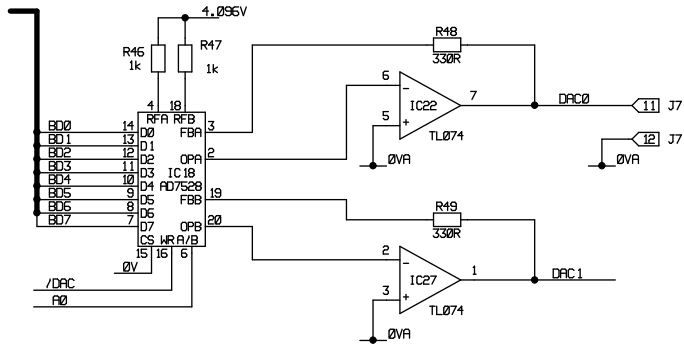
Buffered
I/O Data
Bus



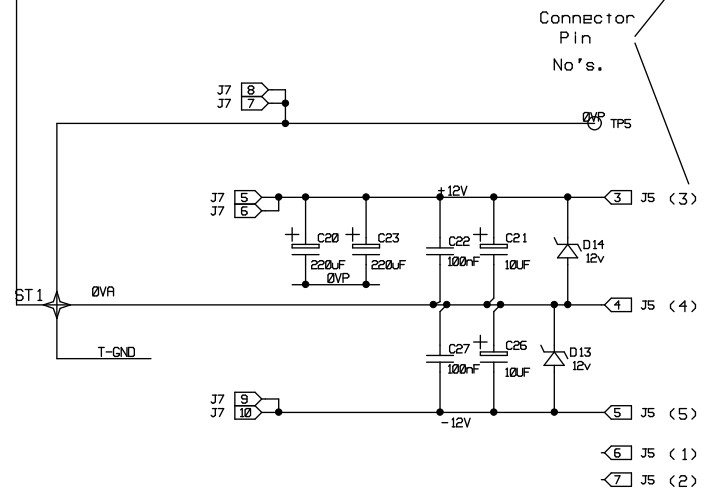
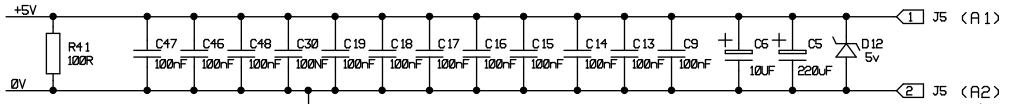
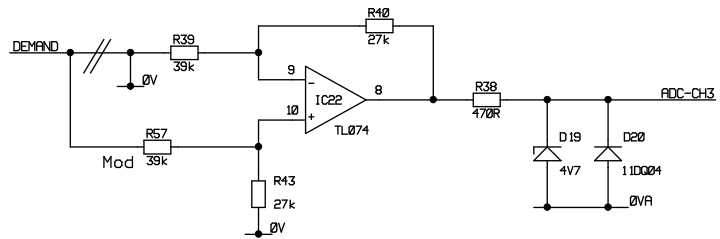
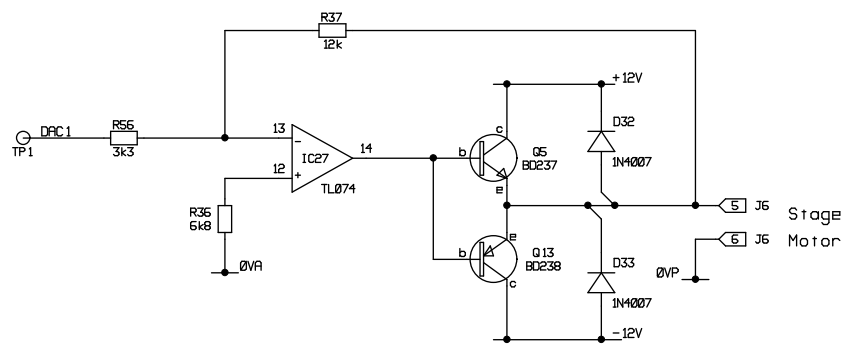
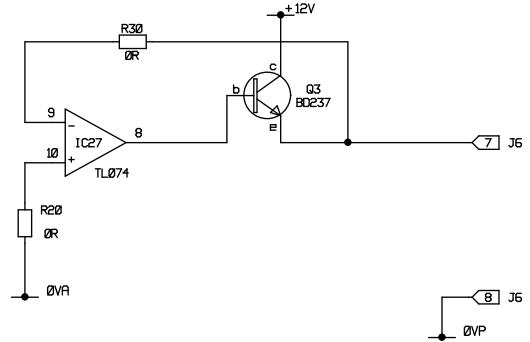
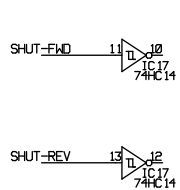
- 16 J7
- 15 J7
- 18 J7
- 17 J7



MODIFICATIONS		EMITECH	
TITLE: K450X Control PCB Circuit Schematic		ISSUE: 2	
DRAWN DJR	DATE: 15/05/2000	DRG NO. A3/207/002	SHEET 2 OF 4

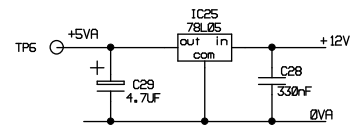


MODIFICATIONS		EMITECH	
TITLE: K450X Control PCB Circuit Schematic		ISSUE: 2	
DRAWN DJR	DATE: 15/05/2000	DRG NO. A3/207/002	SHEET 3 OF 4

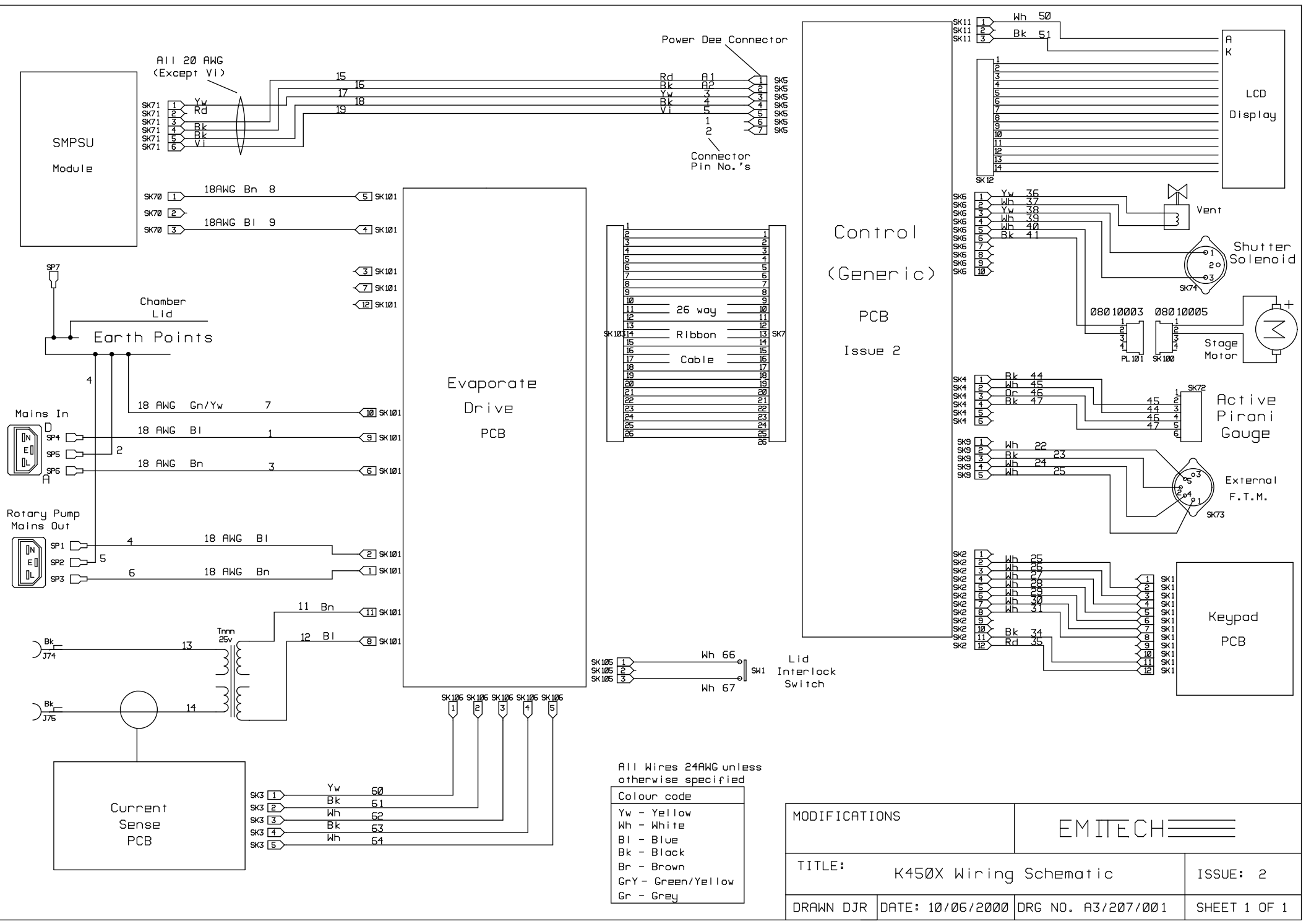


Power In

Connector Pin No's.



MODIFICATIONS		EMITECH	
TITLE: K450X Control PCB Circuit Schematic		ISSUE: 2	
DRAWN DJR	DATE: 15/05/2000	DRG NO. A3/207/002	SHEET 4 OF 4



All Wires 24AWG unless otherwise specified

Colour code	
Yw	- Yellow
Wh	- White
Bl	- Blue
Bk	- Black
Br	- Brown
GrY	- Green/Yellow
Gr	- Grey

MODIFICATIONS		EMITECH	
TITLE: K450X Wiring Schematic		ISSUE: 2	
DRAWN DJR	DATE: 10/06/2000	DRG NO. A3/207/001	SHEET 1 OF 1